

# 6 x 8 Garden Shed Assembly Instructions

1  
0  
1

## Required Tools:

- Screwgun or
- Variable Speed Electric Drill
- Screwdriver Bit (Robertson #2)
- Hammer
- Handsaw
- Tape Measure
- Step Ladder

## Optional Tools:

- Square / Level (for floor construction)
- 1/8" Drill Bit

## Shingles Required:

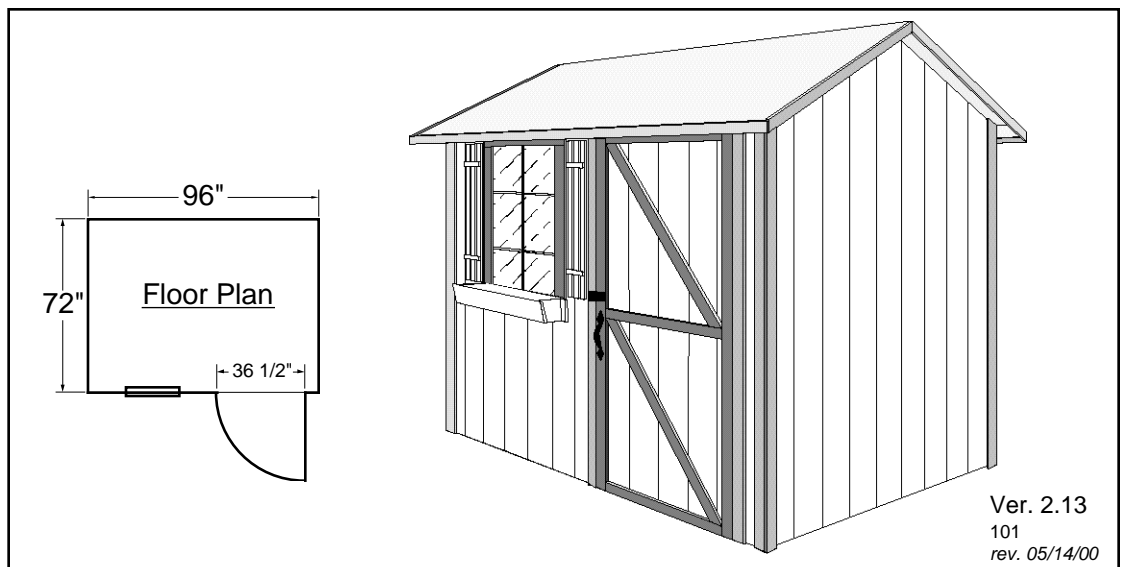
3 bundles asphalt or  
4 bundles cedar shingles.

Note: Assistance may be required to position and secure some of the components.

## Parts List on Next Page

The following pages contain explicit instructions on how to assemble your shed. Extensive diagrams and complete explanations are offered to make it simple (and fun) for those who have little or no experience with a project of this nature. Should you have any questions (or suggestions), please don't hesitate to call our toll free customer service line **1-800-606-8911** or **(905) 840-9469** in the Toronto area.

**Please read the instructions thoroughly and check the contents of this package against the parts list prior to assembly.**



# Guarantee

The contents of this package are guaranteed to be complete and fit for assembly. Check the contents of the package against the parts list. If a **part is missing or damaged, please don't call the store, call our toll free customer service line 1-800-606-8911 or (905) 840-9469 in the Toronto area and we will assist you in getting a replacement part.**

## Parts Checklist and Table of Contents

**Note: Lumber is graded from one side only. Check each part for the most attractive face and use it facing out.**

<b>Section A - General Instructions</b>	<b>Page</b>	<b>1</b>
<b>Section 1 - Floor</b>		<b>3</b>
<b>Section 2 - Truss Assembly</b>		<b>5</b>
<input type="checkbox"/> 10 - Rafters - 2 x 3 x 38 3/4"		
<input type="checkbox"/> 8 - Gussets		
<input type="checkbox"/> 5 - Collar Ties - 2 x 3 x 14"		
<b>Section 3 - Gable Wall Assemblies</b>		<b>6</b>
<input type="checkbox"/> 4 - Gable Plates - 2 x 3 x 72"		
<input type="checkbox"/> 8 - Studs - 2 x 3 x 72"		
<input type="checkbox"/> 2 - 4' Gable Wall Panels (angled), top triangles		
<input type="checkbox"/> 2 - 2' Gable Wall Panels (angled), top triangles		
<b>Section 4 - Back Wall Assembly</b>		<b>8</b>
<input type="checkbox"/> 4 - Back Wall Plates - 2 x 3 x 45 1/2"		
<input type="checkbox"/> 8 - Studs - 2 x 3 x 72"		
<input type="checkbox"/> 2 - Back Wall Panels - 48" x 76 1/2"		
<b>Section 5 - Front Wall Assembly</b>		<b>10</b>
<input type="checkbox"/> 4 - Front Wall Plates - 2 x 3 x 45 1/2 "		
<input type="checkbox"/> 9 - Studs - 2 x 3 x 72"		
<input type="checkbox"/> 2 - Window Spacers - 2 x 3 x 22 1/2"		
<input type="checkbox"/> 1 - Door Header - 2 x 3 x 36 1/2"		
<input type="checkbox"/> 1 - Door Top Jamb - 1 x 3 x 36 1/2"		
<input type="checkbox"/> 1 - Window Panel - 48" wide		
<input type="checkbox"/> 1 - Header Panel - 4 1/2" x 36 1/2"		
<input type="checkbox"/> 2 - 5 3/4" Front Wall Panels - 5 3/4" x 76 1/2"		
<b>Section 6 - Erecting the Walls</b>		<b>16</b>
<b>Section 7 - Raising the Roof</b>		<b>18</b>
<input type="checkbox"/> 2 - 77 5/8" Roof Panel - 44 1/4" x 77 5/8"		
<input type="checkbox"/> 2 - 29 5/8" Roof Panel - 44 1/4" x 29 5/8"		

### **Section 8 - Mounting the Soffits and Fascia** page 20

- 4 - Gable Soffits - 1 x 6 x 39 5/8"
- 2 - Eave Soffits - 3/4" 5 1/8" x 72"
- 2 - Eave Soffits - 3/4" 5 1/8" x 36"
- 4 - Gable Fascia - 1 x 3 x 45"
- 4 - Eave Fascia - 1 x 3 x 54 3/4"

### **Section 9 - Mounting the Corners, Jambs and Trim** 22

- 4 - Gable Corner Trim (cut 22.5°) - 1 x 3 x 77"
- 4 - Front/Back Corner Trim - 1 x 3 x 75 3/4"
- 1 - Horizontal Door Casing - 1 x 3 x 41 3/4"

### **Section 10 - Installing the Window and Door** 23

- 2 - Vertical Door Casing - 1 x 3 x 72"
- 2 - Vertical Door Stop - 3/4" x 1 1/8" x 71 1/4"
- 1 - Horizontal Door Stop - 3/4" x 1 1/8" x 35"
- 1 - Window
- 1 - Door Assembly
- 2 - Diagonal Door Trim - 1 x 3 x 42 5/8"

### **Section 11 - Installing the Flower Boxes & Shutters** 25

- 1 - Flower box Fronts - 1 x 6 x 35 3/4" (w/ V-groove)
- 1 - Flower box Backs - 1 x 6 x 35 3/4"
- 2 - Flower box Sides - 1 x 6 x 6 1/2"
- 1 - Flower box Bottoms - 1/2" x 5 1/8" x 31 7/8" (plywood)
- 2 - Shutter Assemblies

### **Miscellaneous Hardware**

- bag 3" Nails, 1 1/4" Screws, 2 1/2" Screws, 3 Hinges, 1 Hasp
- 1 - Door Handle
- bag 1 3/4" Nails
- bag Roofing Nails

# A) General Instructions and Helpful Hints

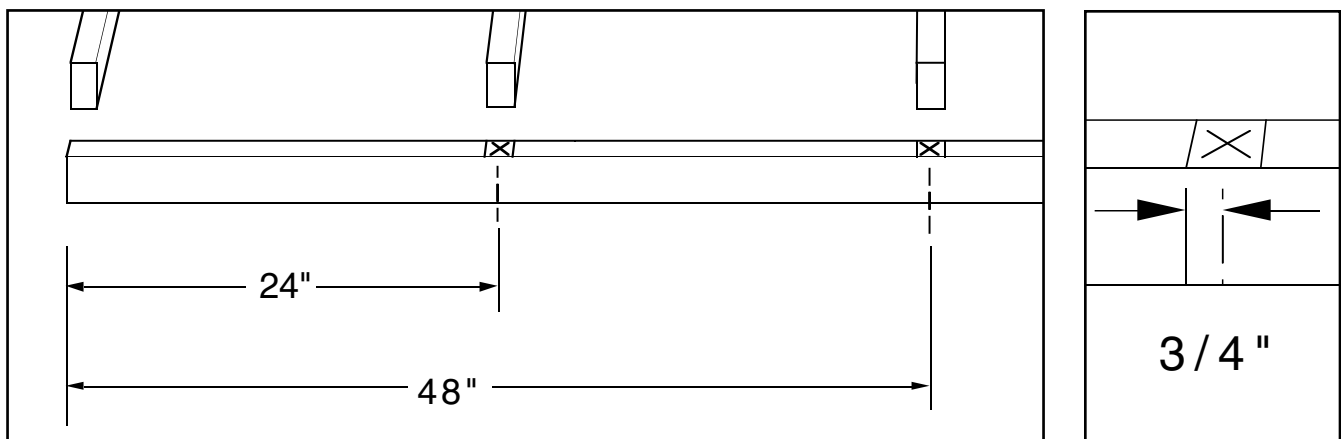
Please read the instructions BEFORE beginning assembly

## Assembly Instruction Organization

The assembly instructions are organized into ten sections. It is strongly recommended that you assemble your shed in the order presented. Our experience shows that assemblers meet with the most success when all the parts in the kit are identified and sorted according to the section where they will be needed prior to assembly. Please refer to the parts checklist on the front cover.

## Marking the Plates

The framing dimensions for stud placement given in these instructions are "on center" measurements. The distances shown are measured from the end of the plate to the middle of the stud. Studs are 1 1/2" wide, so the edges of the stud are 3/4" on each side of center. When laying out the plates it is often convenient to mark the stud center first, and then make a mark 3/4" away on one or both sides of the center mark. Indicate the center mark with an "X" so as not to confuse it with an edge mark.



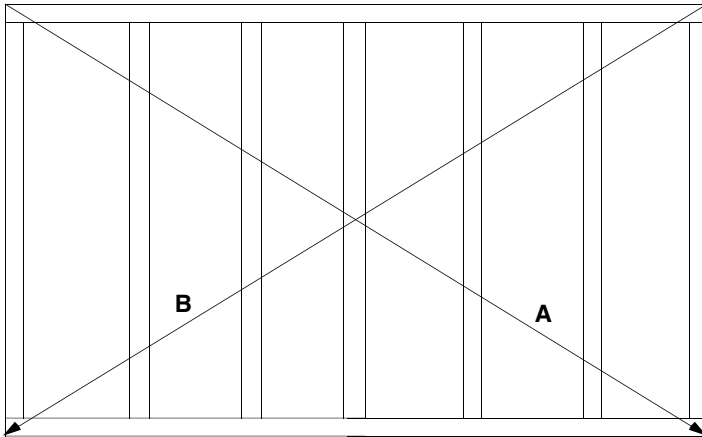
When marking plates for the walls, both the top and bottom plates can be marked at the same time by laying them side by side. Use a square to transfer the marks from one plate to the other.

## Screwing and Nailing

When screwing or nailing be careful not to set the fastener too close to the edge, or the end, of a piece of wood. Corners and casings should have 3" between a fastener and the end of the piece to prevent splitting. As an added precaution, a pilot hole may be drilled for screws using an 1/8" drill bit.

## ***Squaring a Frame***

To square a frame, measure the diagonals (from corner to corner each way), checking that the two measurements are the same. If they are not, push or pull the corners accordingly so that the two measurements become the same.



Measurement **A**  
should equal  
Measurement **B**

## ***Recommended Finish***

Treat the exposed parts of your shed with a minimum of two coats of a transparent natural or coloured opaque finish. A quality brand name finish is available at the retailer where you purchased your shed.

**This treatment is required in order to validate your manufacturer's warranty.**

## ***A Word about Pool Cabanas***

If you intend to use your shed as a facility to house gas-fired pool heating equipment, be sure to consult with your local gas service person on the placement of your equipment **before** erecting the shed. This will ensure that all clearances are adhered to, and that you are able to position the roof trusses so that they don't interfere with the stack on your gas heater.

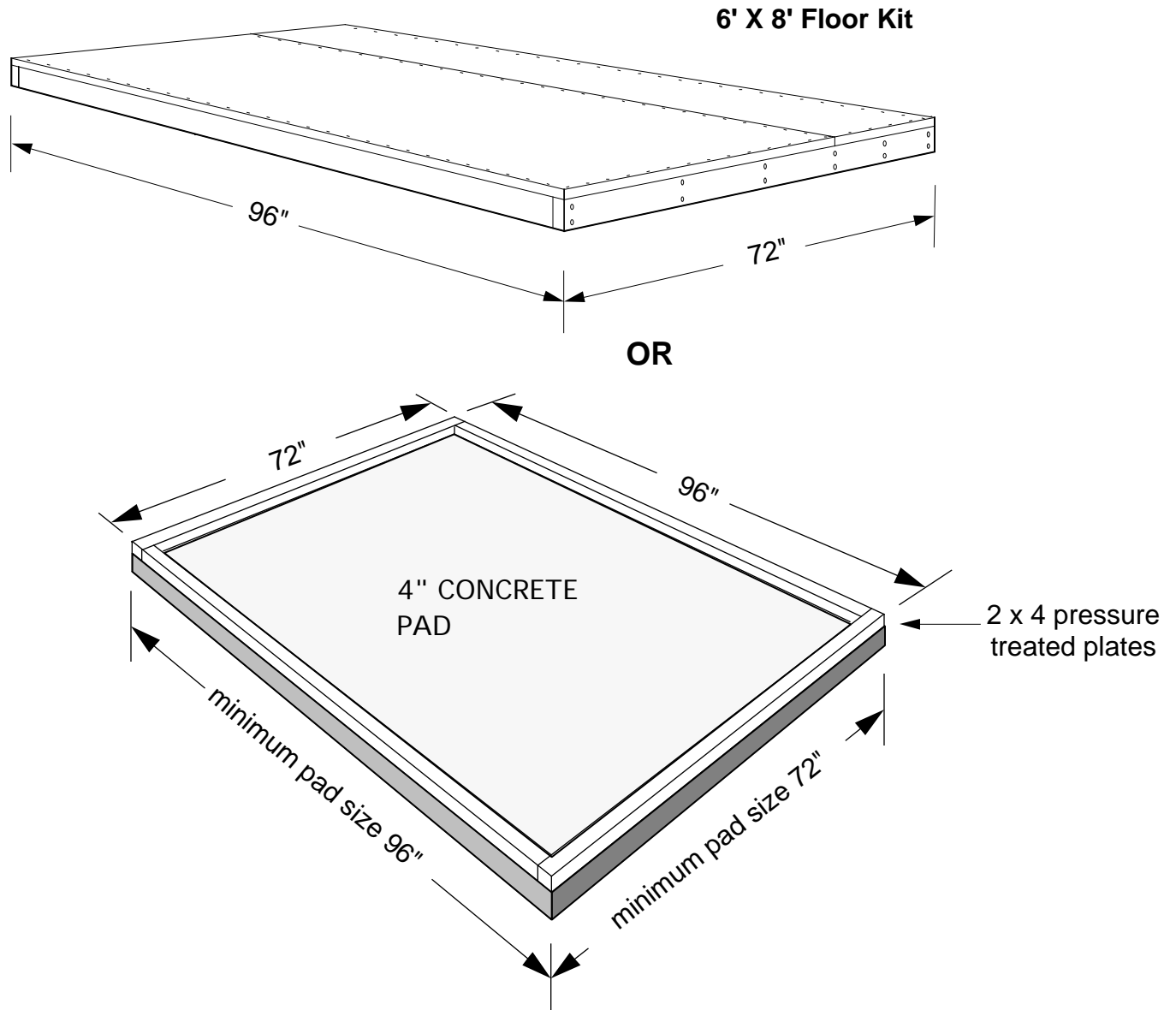
## ***A Note on Lumber Dimensions and Wood Properties***

Throughout the instructions, reference is made to various lumber dimensions. Please remember that planing at the sawmill has reduced the size of dimensioned lumber such as 2x3, 2x4, 2x6, 1x8, 1x6 etc. These materials are 1/4" to 1/2" thinner and narrower than stated (ie 2x3 is actually 1 1/2" x 2 1/2", 1x6 is 3/4" x 5 1/2"). In cases where a depth or width is given for material that we have machined (trim, door casing, etc.), the measurements are usually as stated. All of the parts in your kit have gone through a quality control process in our plant, but keep in mind that wood is a natural material and is prone to swelling and shrinkage. Therefore, the size of some of the parts may vary slightly from the dimensions given. This may result in some minor joint variations, but should not be cause for concern. When you are sorting the parts in your kit, you may wish to set aside the straighter studs for use as door studs and corner studs. When assembling parts, consider which face or edge of the piece looks best and keep that side exposed.

## **1) Floor (not supplied with kit)**

**Your shed must be installed on a floor system.** It may be installed on a plywood floor system, concrete slab or interlocking brick platform.

An optional pre-cut plywood floor kit is available from your dealer. If you would like to build your own plywood floor, your dealer also has a free set of detailed instructions to assist you.



The concrete pad may be larger than shown, but it must be *at least* 72" x 96". Attach 2 x 4 pressure treated lumber plates to the pad as shown with bolts or masonry nails. Ensure that the plates are level (shim them if required) prior to bolting or nailing them to the pad. *The plates must be square and level for proper assembly of the shed.* An uneven foundation will make it difficult to properly fit the roof.

***The edges of the wall panels must be protected from moisture contact to prevent damage to the siding. Under no circumstances should the siding be in contact with the ground.***

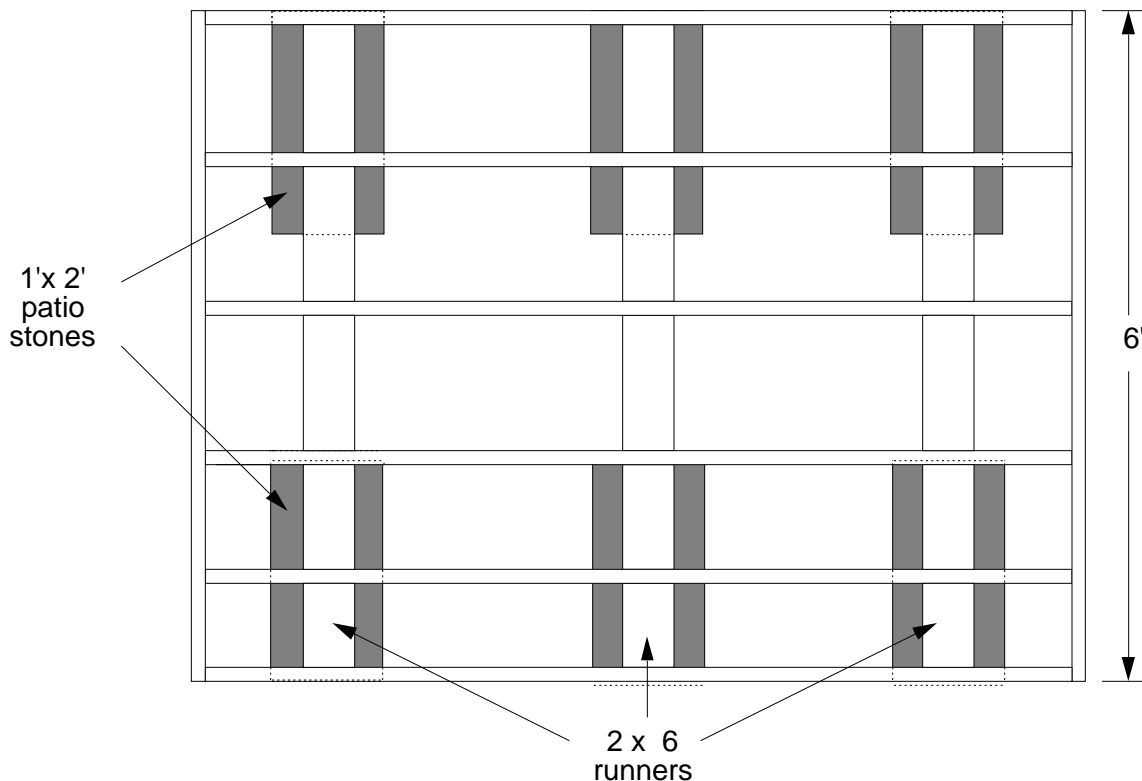
## Site Preparation

- 1) The site you choose for your shed should be well drained and free from puddling.
- 2) The site must be properly leveled. It is recommended that any sod be removed prior to leveling and black plastic sheeting or landscaping fabric covered with gravel be put down before assembly of the floor. This will help keep moisture away from the floor and discourage the growth of grass under the shed.
- 3) If a concrete pad is being used, be sure that the plates are level and square. You may need to shim the plates prior to bolting or nailing them to the pad.

## Optional Strategies for Difficult Sites

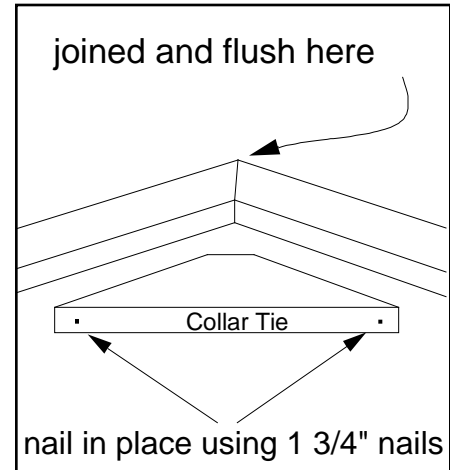
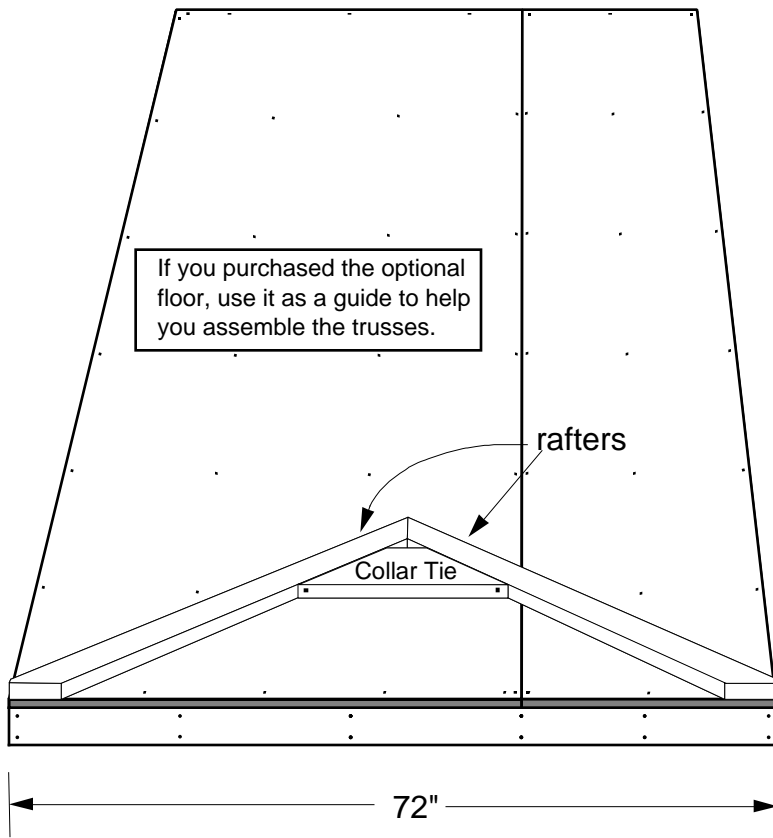
*If it is not possible to level the site, or you wish to raise your shed in areas of poor drainage, 2x6 pressure treated runners supported by concrete patio stones or poured concrete footings may be used.*

- 1) Set down patio stones or pour footings positioned as shown in the diagram below. We recommend that the patio stones or footings be leveled as much as possible to avoid excessive shimming.
- 2) On the bottom of the floor, place the 2x6 runners on their face, 12" from the edge of the floor. Attach using two - 3" galvanized nails per joist.
- 3) Flip completed frame over and position it on the patio stones or footings. Add cedar shims or blocks between the patio stones and the 2 x 6 runners to level the frame.



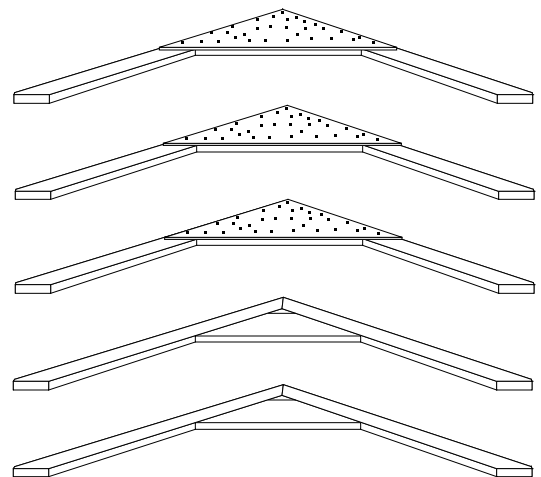
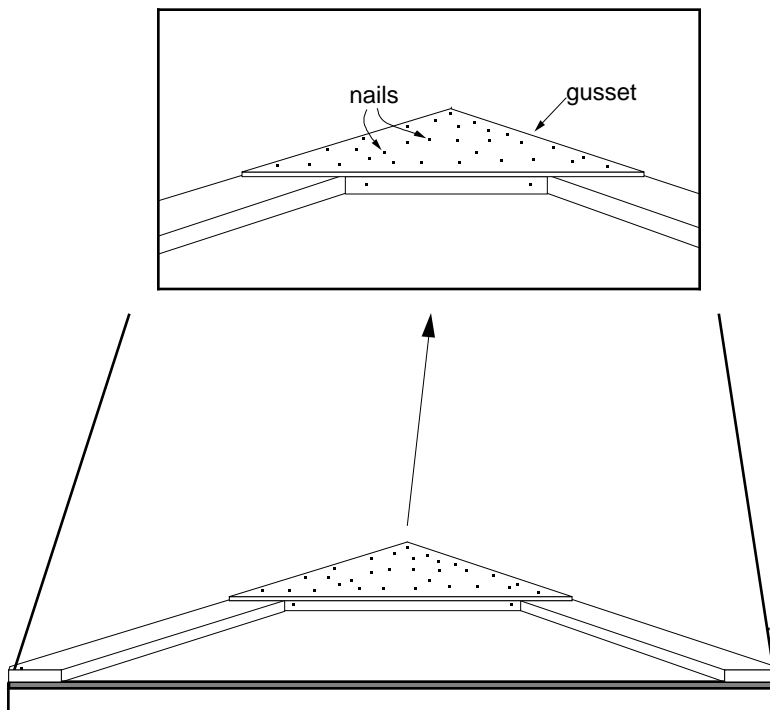
## 2) Truss Assembly

1) Lay out two of the rafters on the assembly surface as shown. Ensure that the gable peak ends are flush and the distance between the outside ends of the rafters measures 72".



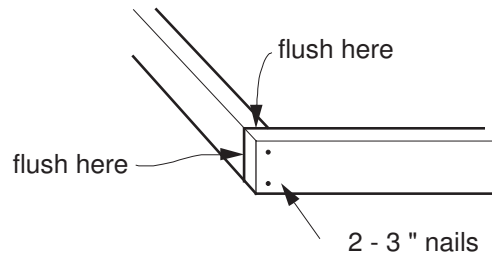
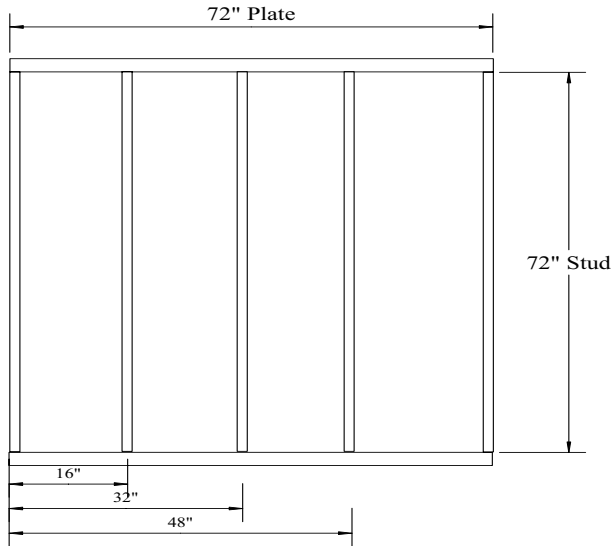
← optional floor

2) Position a gusset as shown below. Using approximately 30 - 1 3/4" siding nails, secure the gusset to the rafter and collar tie. On 3 of the 5 trusses to be assembled, flip the trusses over and nail a second gusset on the other side. Note that the two trusses to be used with the gable walls have a gusset on one side only.



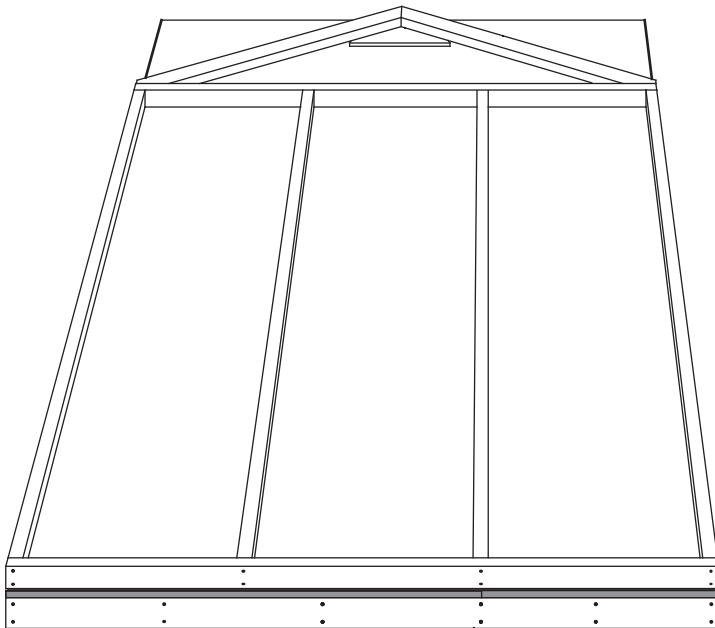
### 3) Gable Wall Assembly (two required)

- 1) Lay out the top and bottom plates along with 5 studs on their edges as shown below.
- 2) Attach each stud to the plates using two - 3" nails for each end of the stud. Ensure that the top of the stud stays flush with the plate.



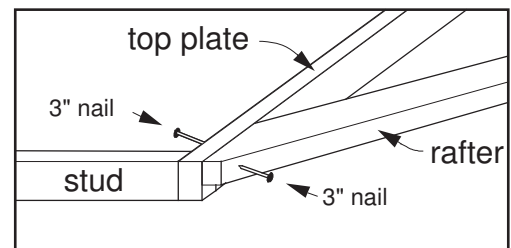
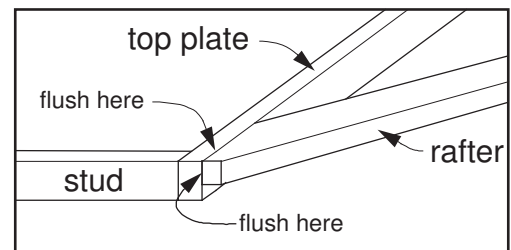
- 3) Position one of the single gusset trusses, gusset side down, on the top plate as shown. Put scrap material or shims under the gusset to raise the top of the truss to the same level as the top plate. Ensure that the truss ends are flush with the outer edges of the plate and that the top face of the truss aligns with the top edge of the plate.

- 4) Nail the truss to the top plate using 3" nails, first through the end of the truss, and then up through the plate into the truss end.



(frame shown here positioned on optional floor)

Note that there are 5 studs on this wall



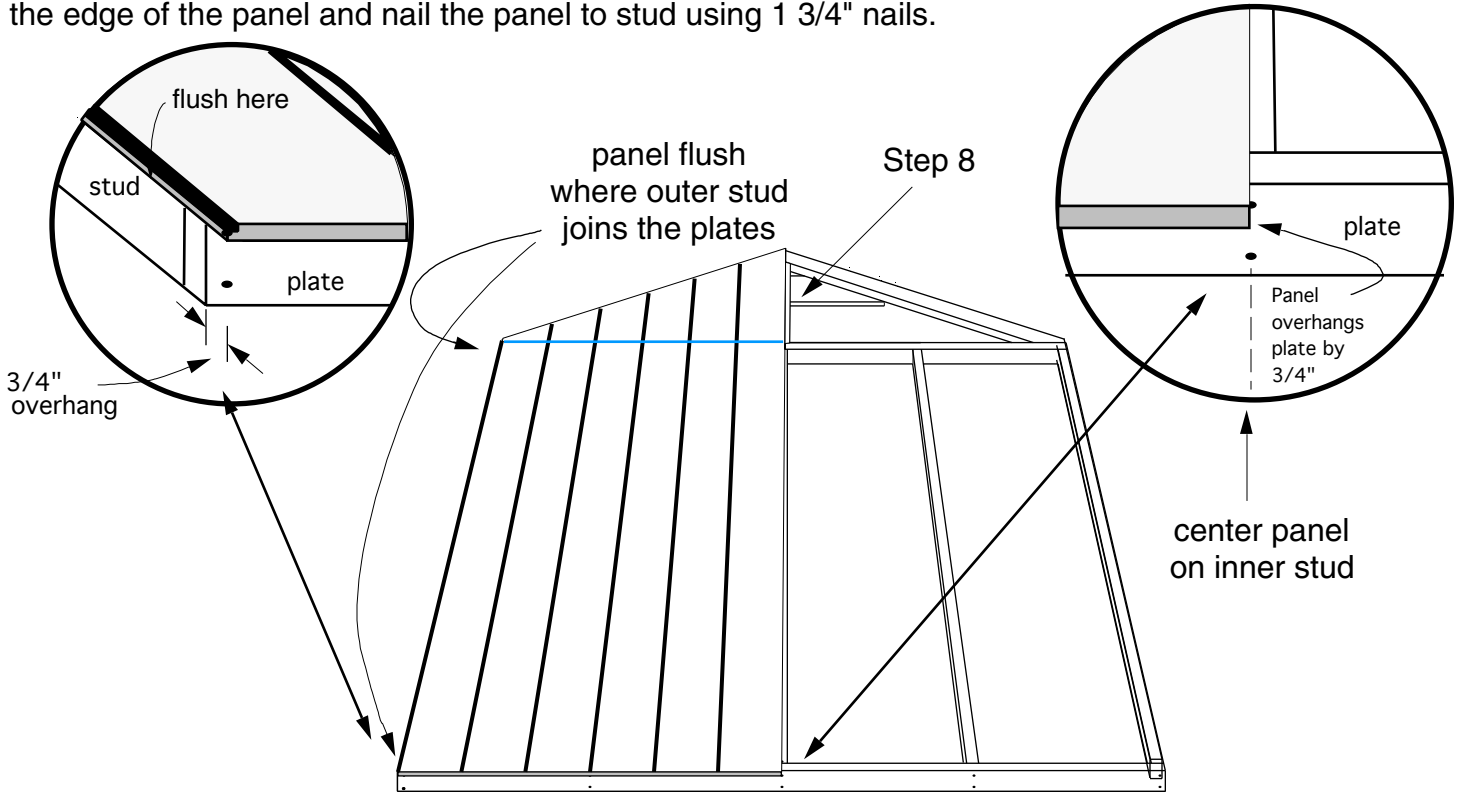


5) Place the 2 left gable wall panels on the frame. Adjust the panel so that the bottom edge overhangs the bottom plate by approximately 3/4" and the outer edge of the panel is flush with the outer edge of the stud where it joins the plates. Ensure that the top edge of the top panel does not extend past the top of the truss. Each panel consists of a rectangular panel and a triangular panel.

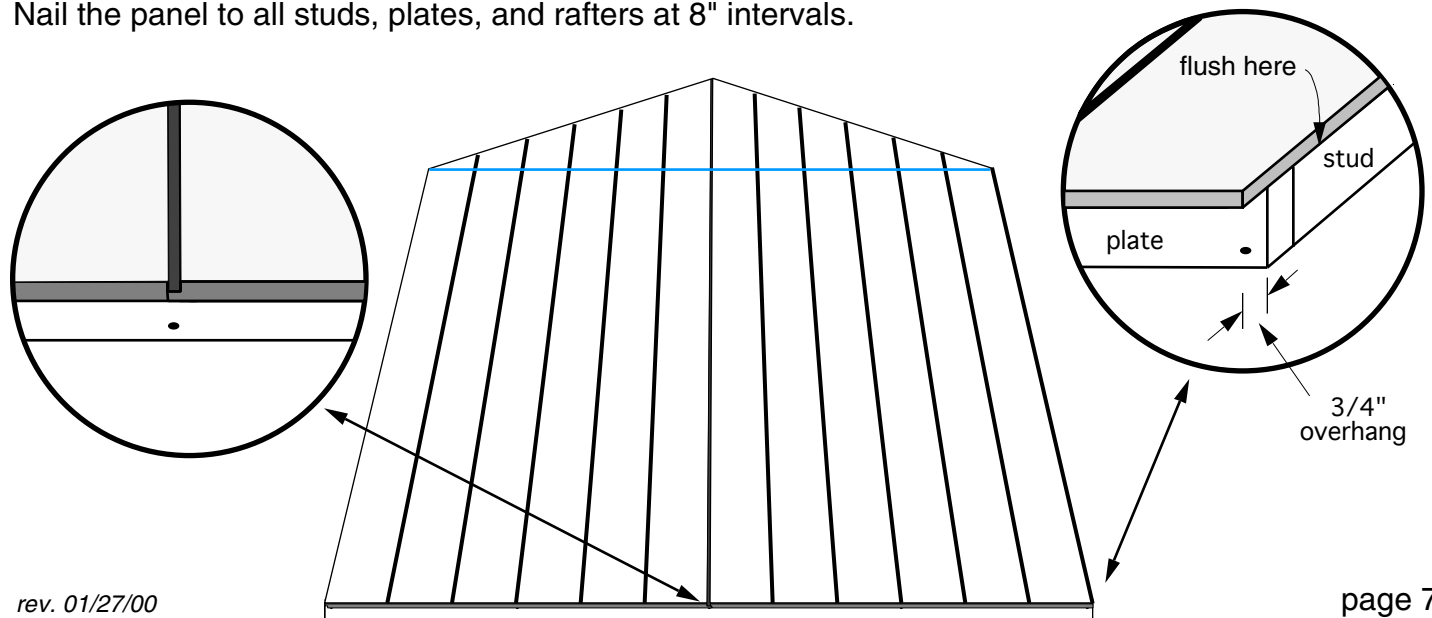
6) Secure the panel to the outer stud with a 1 3/4" nail in each end of the stud. The inner panel edge should be centered on the center stud at both the top and bottom. Ensure that the panel overhangs the bottom plate evenly along its length. Secure with a 1 3/4" nail at the top and bottom of the inside stud.

7) Straighten the studs along the length of the panel edges by pushing or pulling them in the middle. Secure with 1 3/4" nails. Nail the panel to all studs, plates, and rafters at 8" intervals.

8) Position a 14 5/8" gable seam stud between the gable peak and the wall plate. Center the stud on the edge of the panel and nail the panel to stud using 1 3/4" nails.

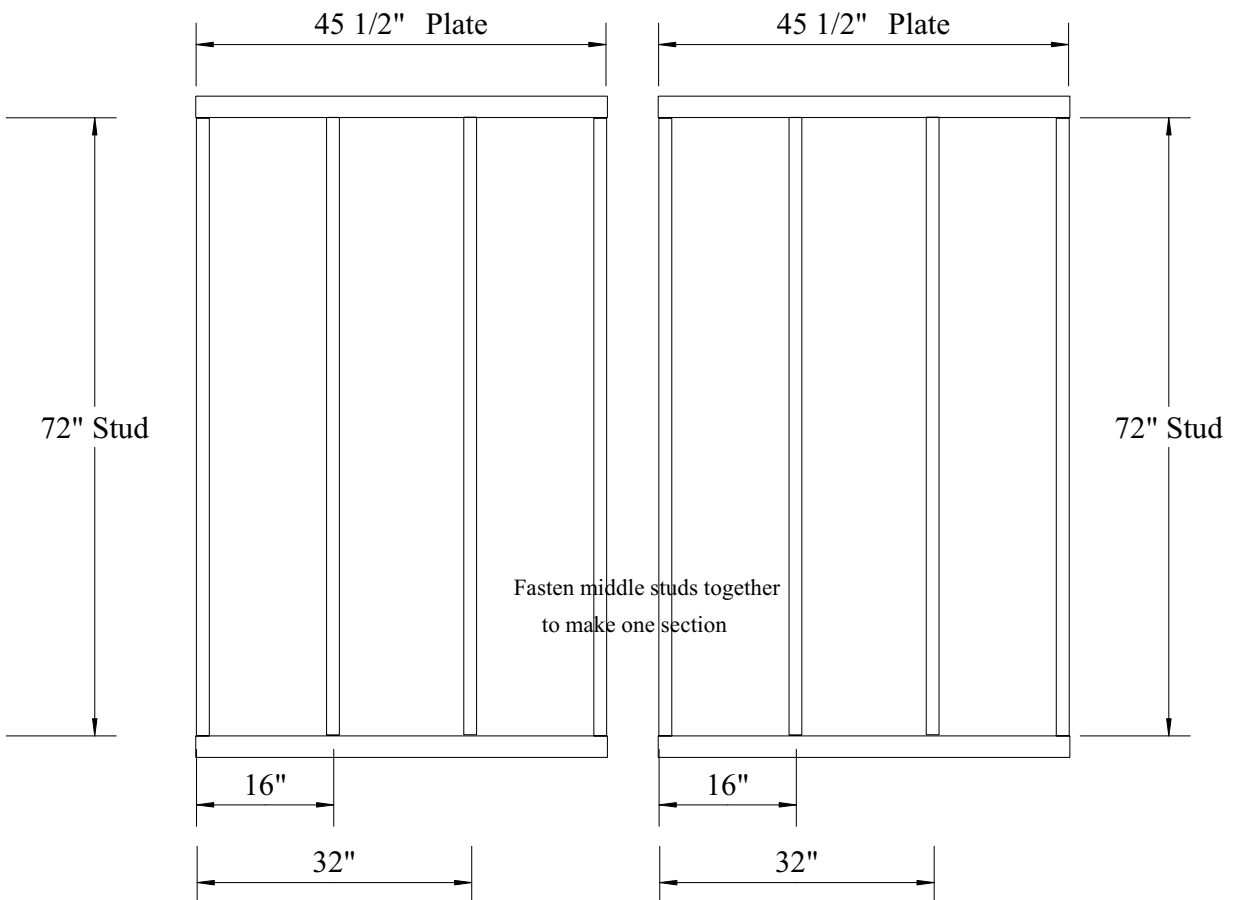
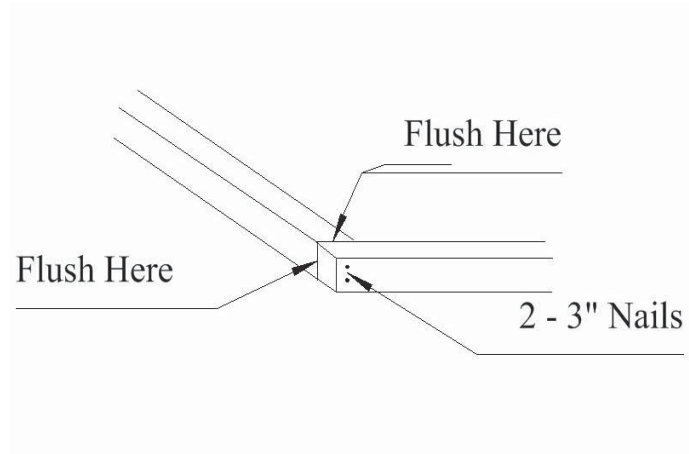


9) Position the next 2 gable wall panels flush with the first at the bottom and along the seam. Tack the panels at the corners. Straighten the right stud so that it is flush along the length of the panel edge. Nail the panel to all studs, plates, and rafters at 8" intervals.



## 4) Back Wall Assembly

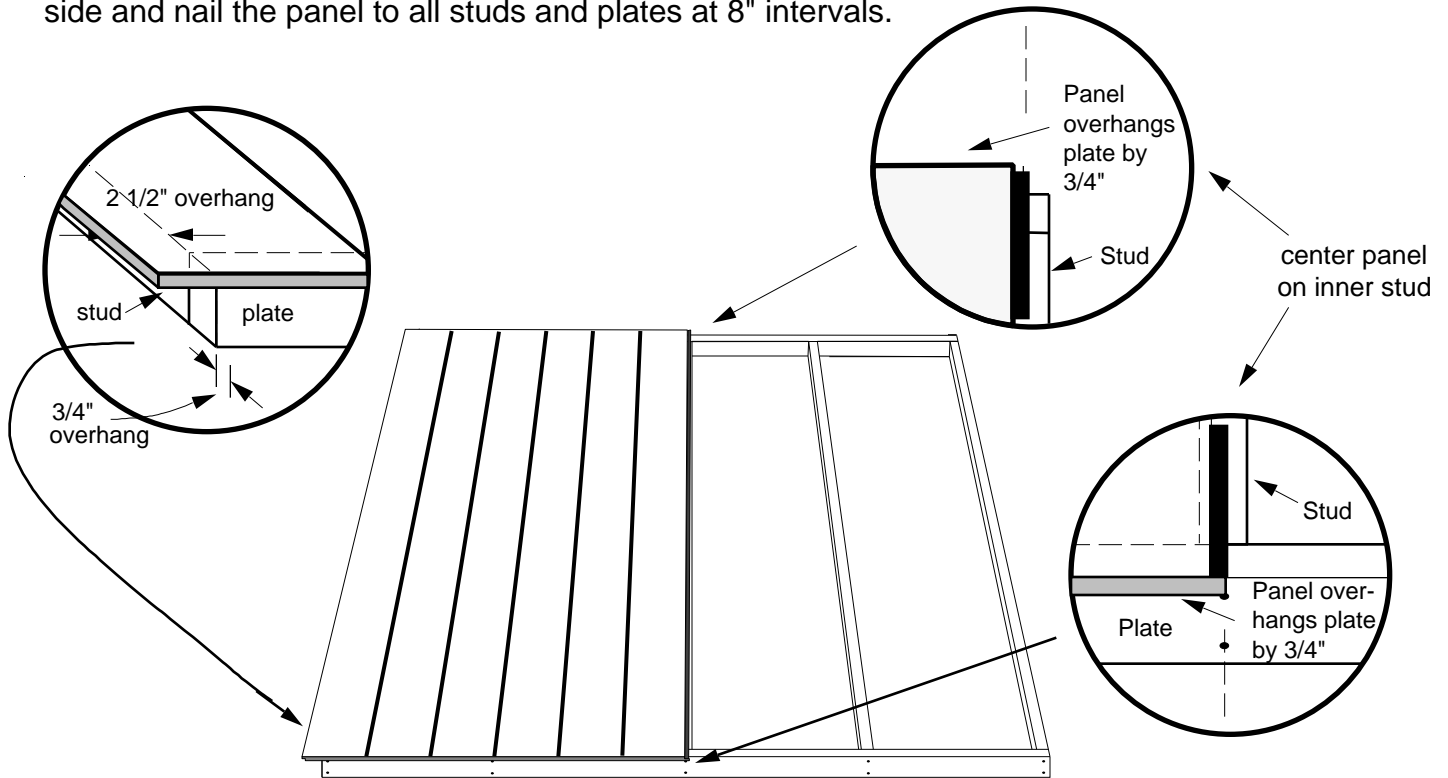
- 1) Lay out two 45.5" wall plates and 4 studs as shown below.
- 2) Attach each stud to the plates using two 3" nails for each end of the stud. Ensure that the top of the stud stays flush with the plate. Repeat this for one more section.
- 3) Fasten the 2 sections together by nailing the two end studs together every 8" with the 3" nails. You will now have a 91" wall section.



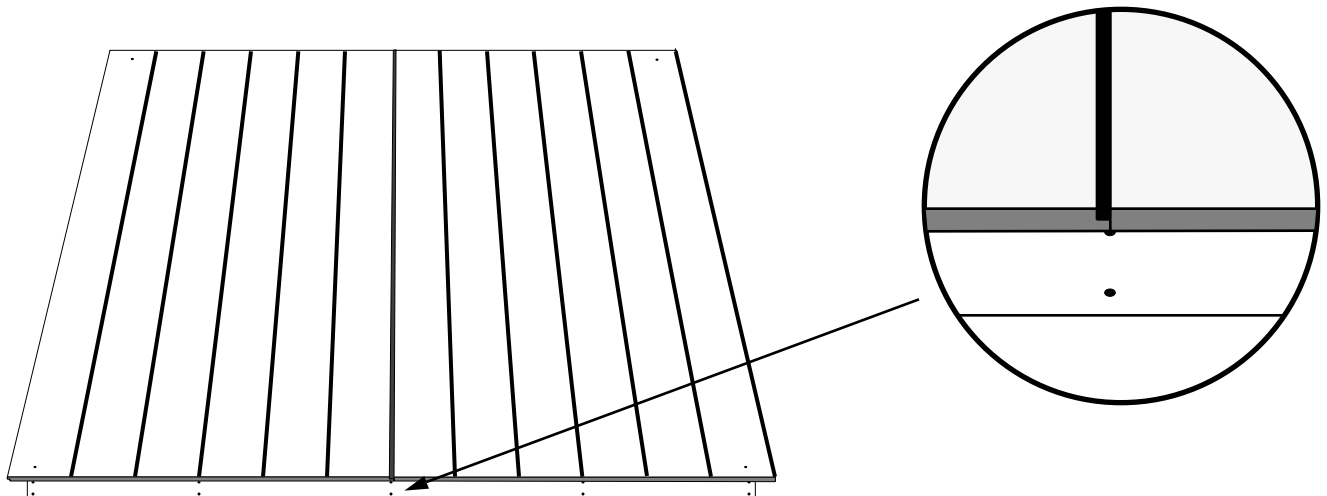
4) Position a back wall panel on the left side of the frame. Adjust the panel so that the bottom edge overhangs the plate by approximately 3/4" and the left edge overhangs the stud 2 1/2" at the bottom corner (this should leave 3/4" of the stud exposed along the right edge of the panel). Ensure that the overhang at the top edge of the panel does not exceed 3/4", or it will affect the roof sheeting later.

5) Secure the bottom left corner of the panel with a 1 3/4" nail. Ensure that the overhang is even along the bottom edge and nail the bottom right corner.

6) Push or pull the top left corner of the frame until the panel edge overhangs the outside stud by 2 1/2" at the top left corner and nail it. Ensure that the overhang is 2 1/2" all the way down the left side and nail the panel to all studs and plates at 8" intervals.

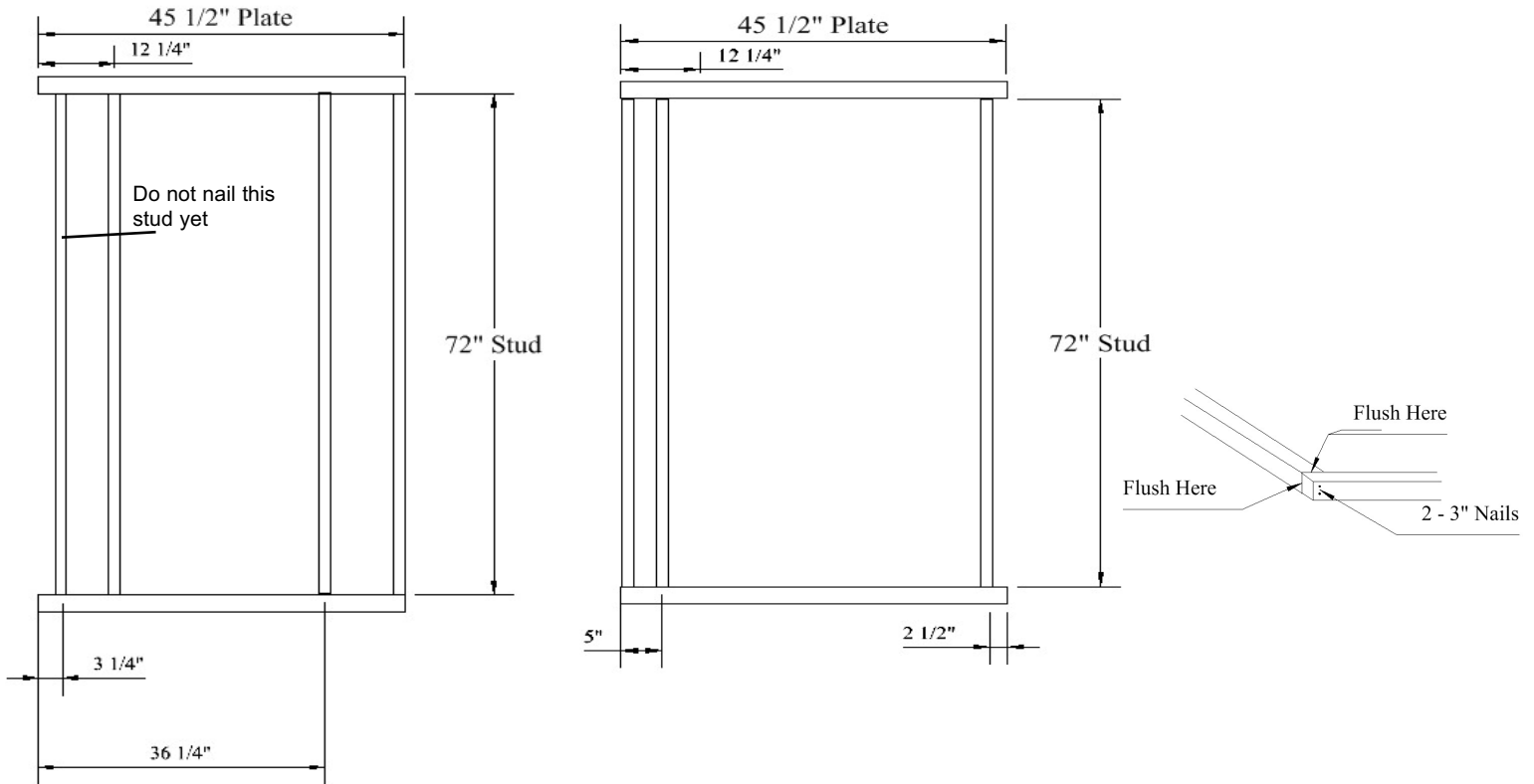


7) Position the second back wall panel on the frame flush with the first panel at the bottom left corner. Be sure to match the groove properly with the first panel. With the seam tight, nail both left corners. Ensure that the overhang is even at the top and bottom and nail the rest of the panel.

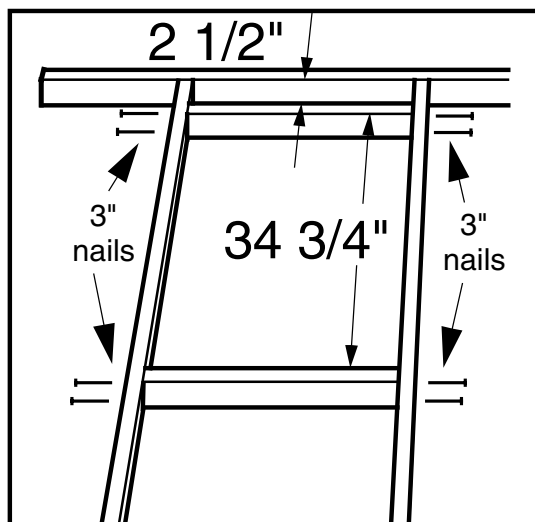


# 5A) Front Wall Assembly

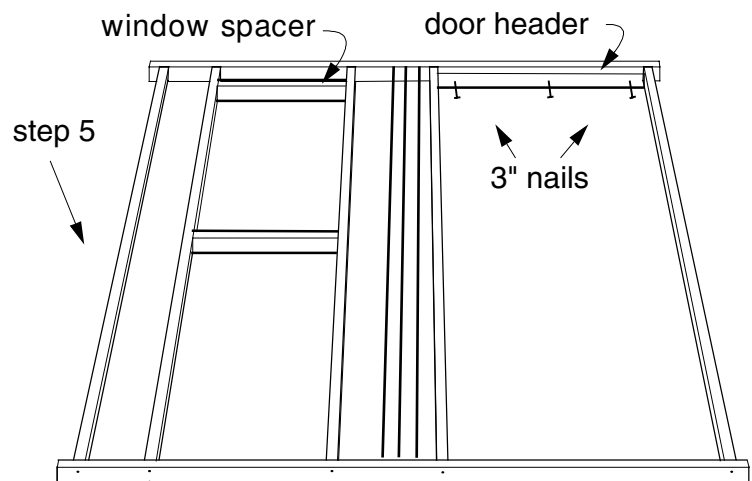
- 1) Lay out the four 45.5" wall plates and 7 studs as shown below.
- 2) Attach each stud to the plates using two 3" nails for each end of the stud. Ensure that the top of the stud stays flush with the plate. Do not nail the left stud yet.
- 3) Fasten the 2 sections together by nailing the two end studs together every 8" with the 3" nails. You will now have a 91" front wall section.



- 3) Position the window spacers (2 x 3 x 22 1/2") as shown below. Using 3" nails, nail the end of each spacer twice through each stud, ensuring that the spacer stays flush with the stud.
- 4) Position the door header (2 x 3 x 36 1/2") as shown. Using three - 3" nails, nail the header tight to the upper plate, ensuring that the header stays flush with the studs and upper plate.
- 5) Using 3" nails, nail the remaining stud into place.



Window Spacer Positioning Detail

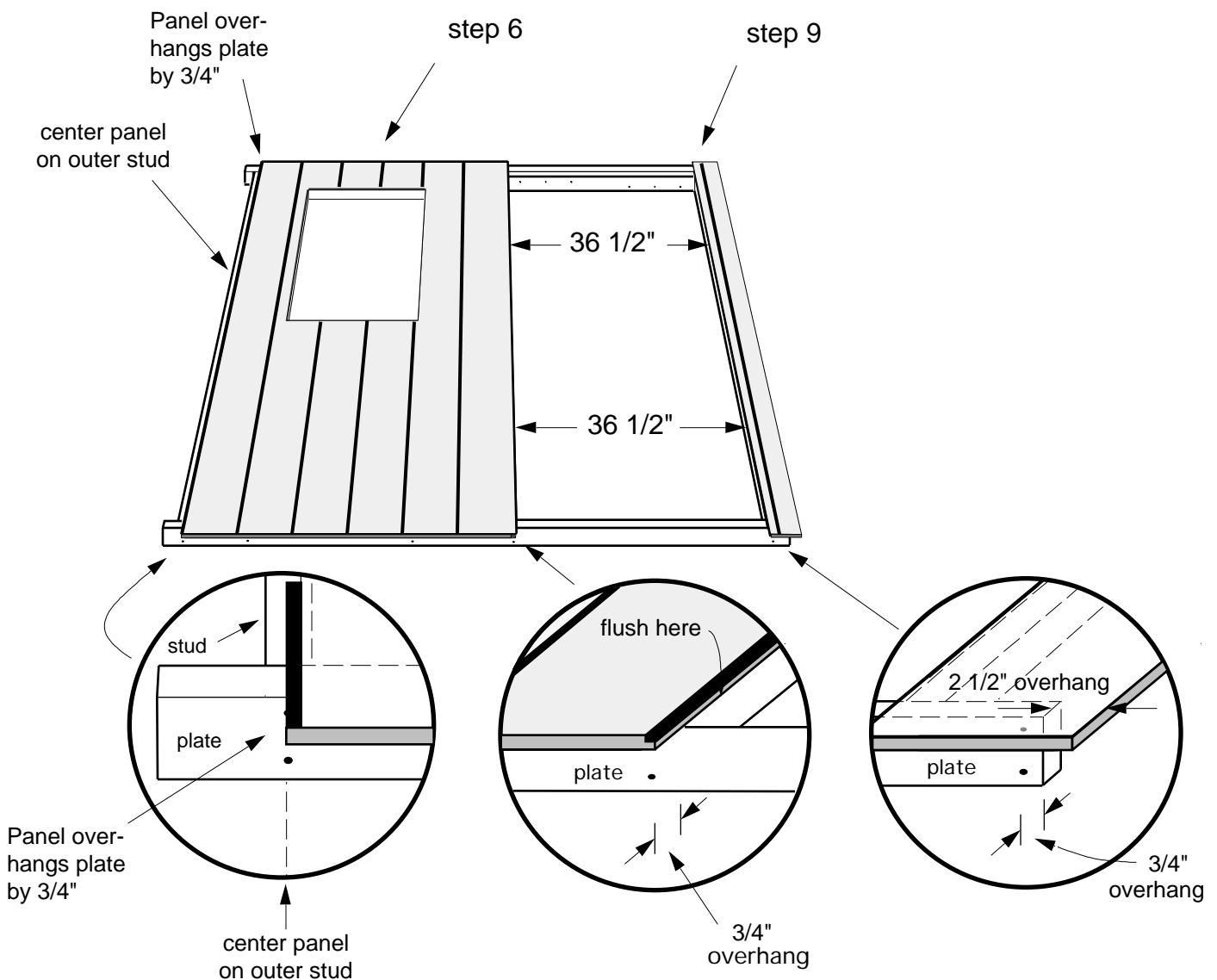


6) Position the window panel on the frame as shown below. Adjust the panel in the same manner as the back wall making sure it is centered on the outer stud and overhangs the top plate by no more than 3/4". The right edge of the panel should be flush with the door stud, if it is not, re-check the framing and adjust as required.

7) Make sure that the door studs are parallel to each other and that they are 36 1/2" apart. **The door frame must be square** (and level after the wall is erected) **in order for the door to operate properly.**

8) Secure the panel to the bottom plate with one - 1 3/4" nail in each corner. Straighten the studs so that the panel overhang is even along the length of the studs. Nail the panel to all studs, plates and spacers at 8" intervals.

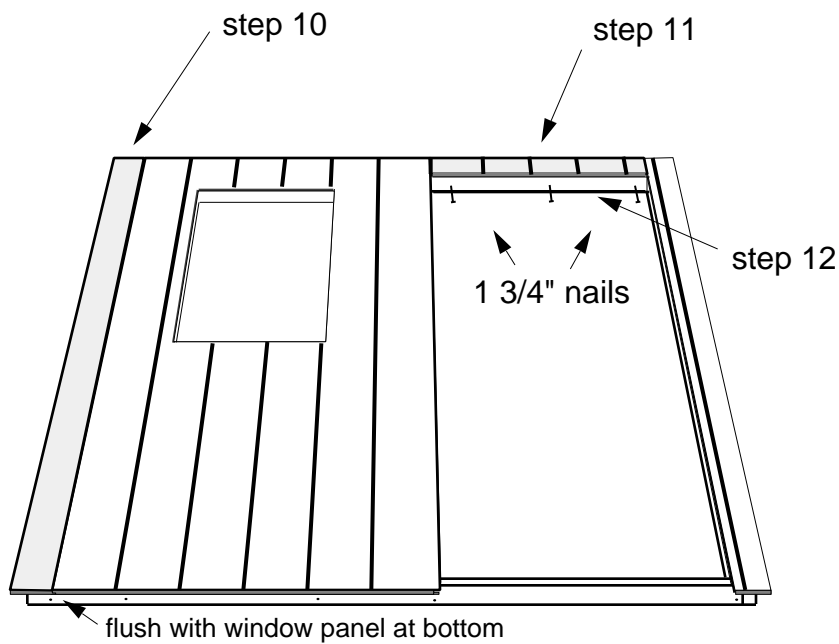
9) Position the 5 3/4" front wall panel (the small panel **with** the groove on its face) on the frame as shown below. Position the groove nearest to the door stud. Adjust the panel so that it overhangs the bottom plate by 3/4", and is flush with the door stud. Again, the panel will overhang the top plate by no more than 3/4". Using 1 3/4" nails, secure the panel.



10) Position the other 5 3/4" front wall panel (the small panel **without** the groove on its face) on the frame as shown below. Ensure that the panel is tight against left window panel and is flush with it at the top and bottom. Using 1 3/4" nails, secure the panel. (The panel will overhang the end of the plates by 2 1/2").

11) Position the header panel as shown below. The top of the panel should be flush with the top of the panels on either side. Secure the panel every 8" with 1 3/4" nails.

12) Using 1 3/4" nails, fasten the door top jamb to the door header. Ensure that the jamb is tight against the door header panel.

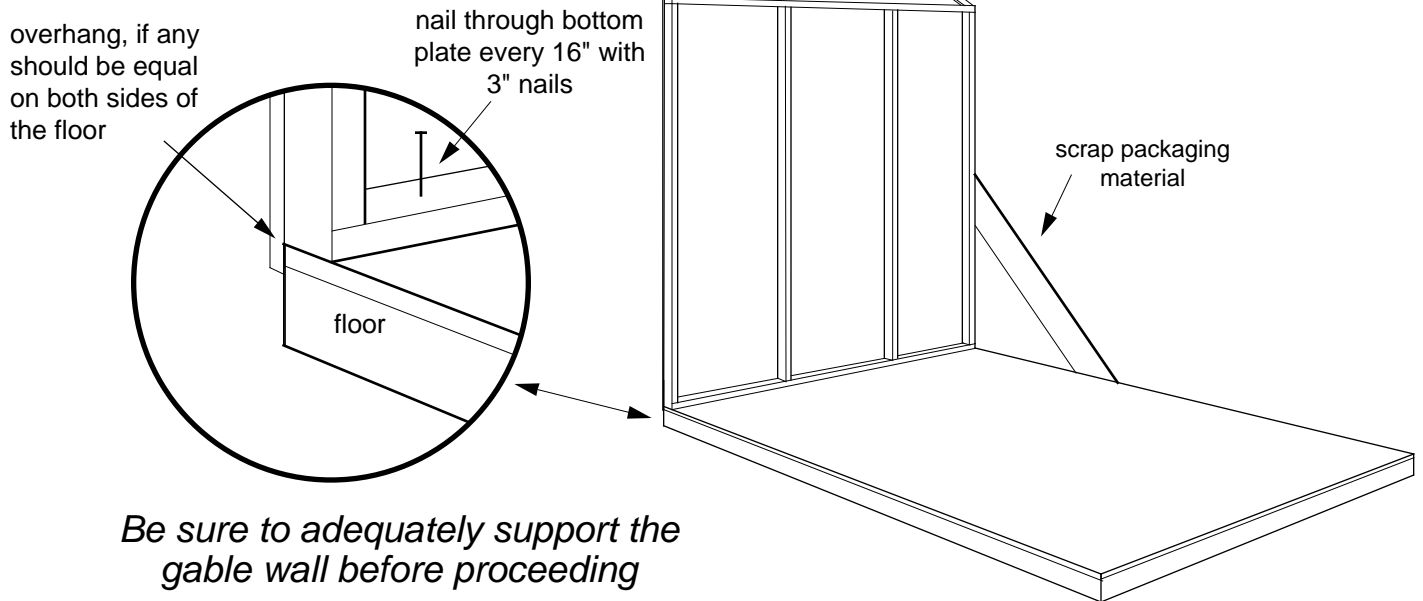


## 6) Erecting the Walls

**Re-check the floor before erecting the walls. It is very important that the floor is flat and level to insure proper installation of the roof.**

1) Starting with the gable wall that is most convenient, lift the wall into position as shown below. Center the wall on the floor so that both ends are flush with the floor (if there is any overhang, make it equal on both ends). Use scrap packaging to brace the wall diagonally from the floor to the edge of the wall.

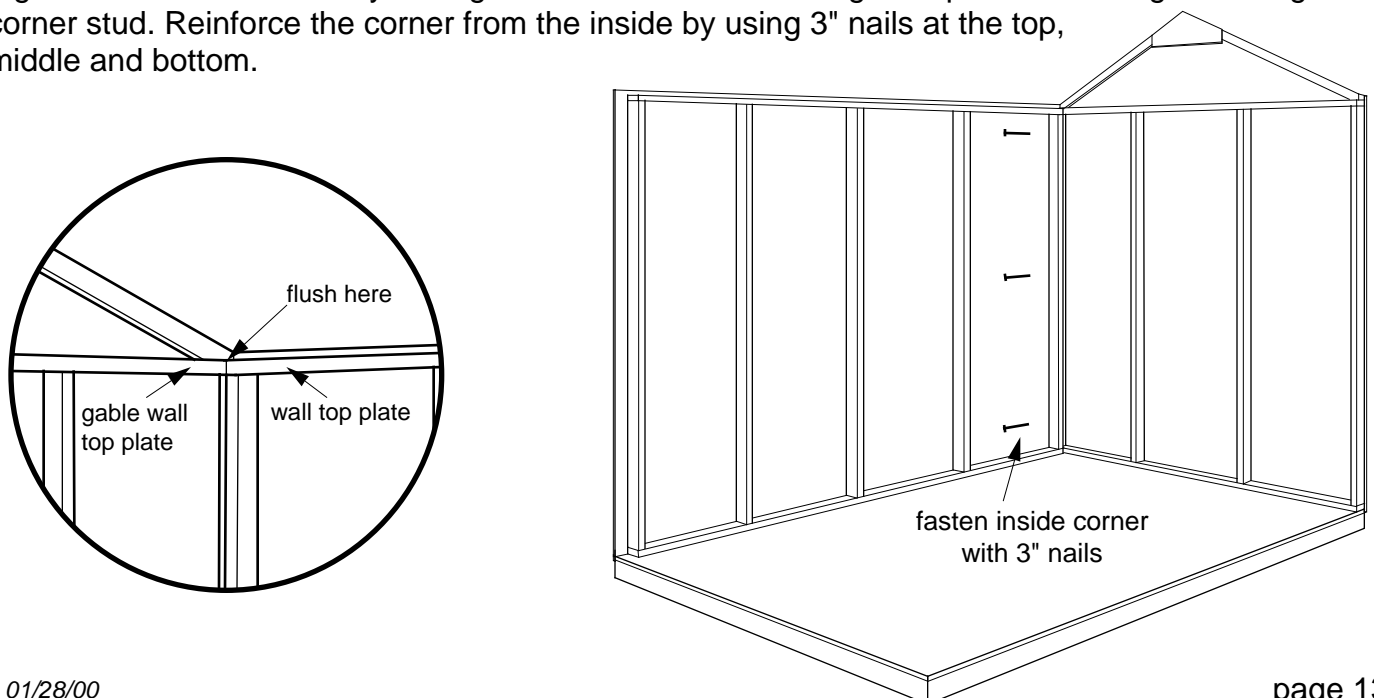
2) With one person outside pushing the bottom of the wall tight against the edge of the floor, fasten the wall by nailing the bottom plate to the floor at 16" intervals.



*Be sure to adequately support the gable wall before proceeding*

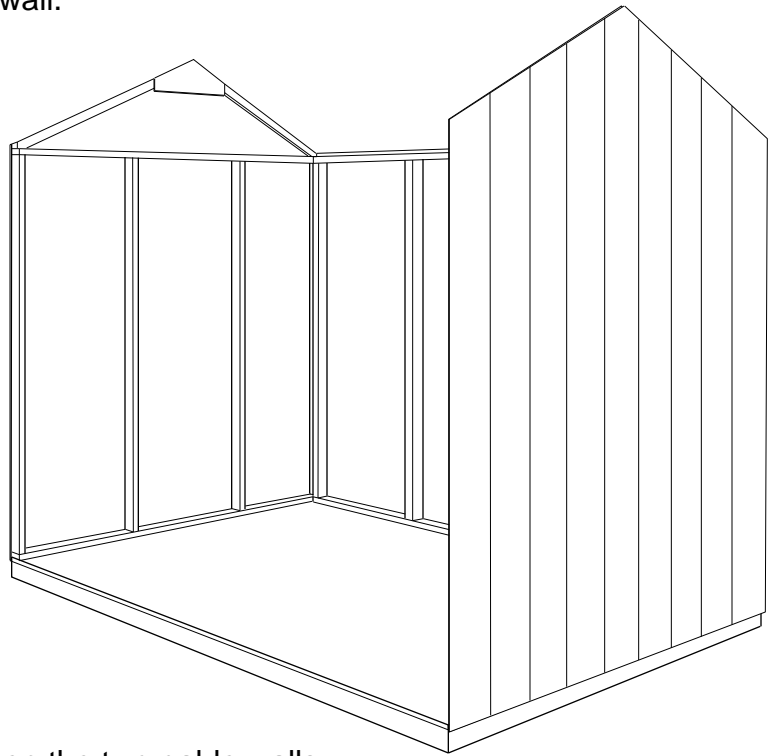
3) Slide the back wall into place ensuring that the corner is tight with the gable wall.

4) Adjust the wall sections so that the top plates are flush with each other (this may require you to temporarily shim one of the walls). With one person pushing the corner tight, fasten the corner together from the outside by nailing seven - 1 3/4" nails through the panel overhang into the gable corner stud. Reinforce the corner from the inside by using 3" nails at the top, middle and bottom.



5) Lift the second gable wall into position as shown below. Ensure that the inside corner is tight with the back wall.

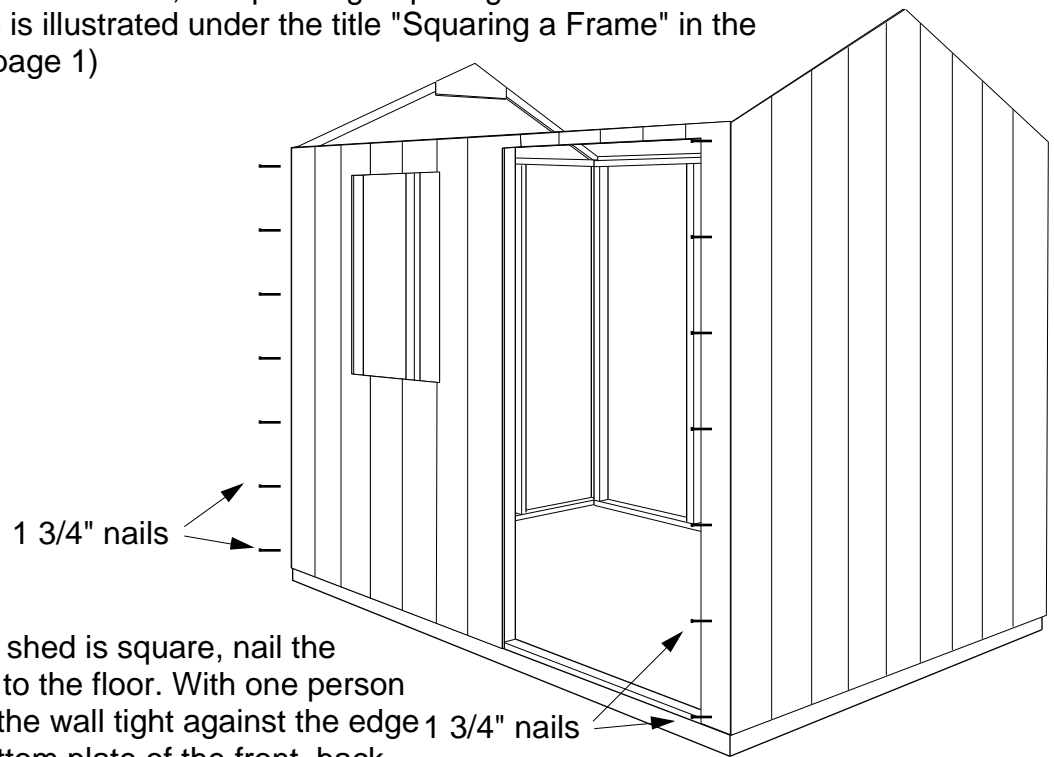
6) Fasten the corners together as detailed in step 4.



7) Slide the front wall into place between the two gable walls.

8) Fasten both front wall corners as detailed in step 4.

9) To ensure proper installation of the roof panels, square the shed by measuring diagonally across the top corners of the walls, and pushing or pulling the corners until the measurements are equal. (This technique is illustrated under the title "Squaring a Frame" in the General Instructions, page 1)

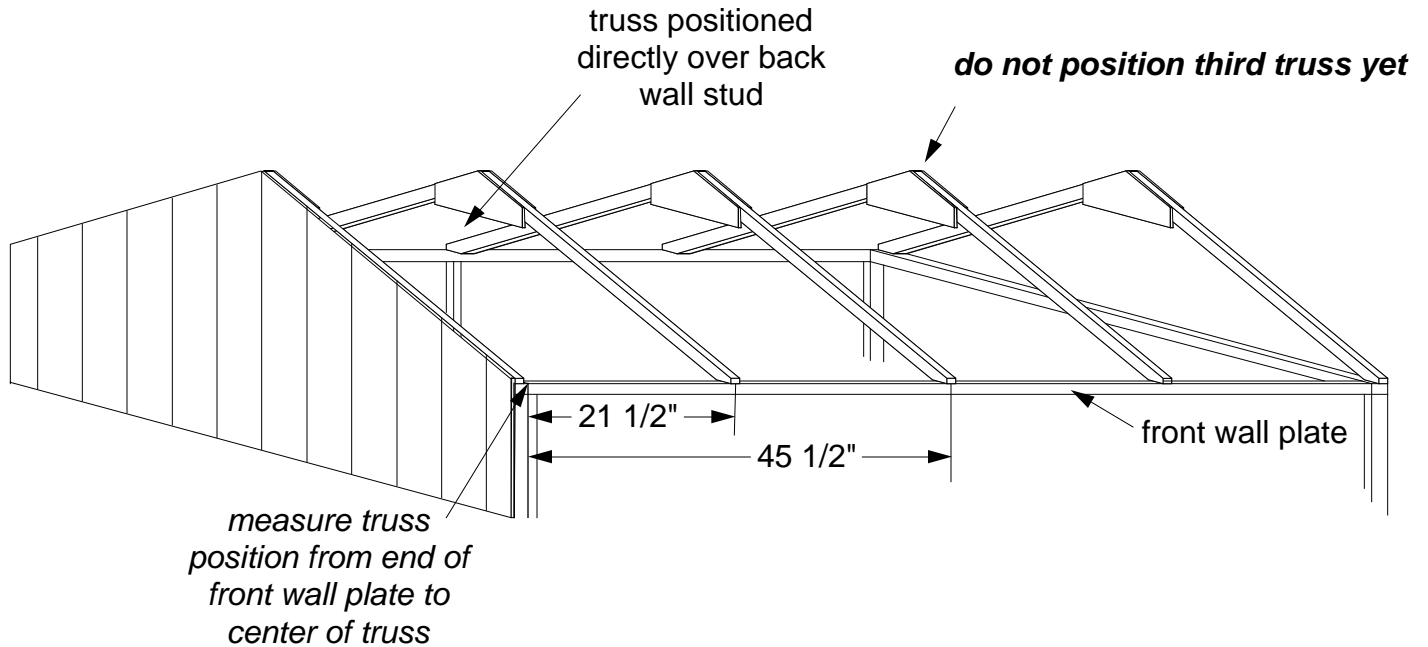


10) After the top of the shed is square, nail the remaining two corners to the floor. With one person pushing the bottom of the wall tight against the edge of the floor, nail the bottom plate of the front, back and gable walls to the floor at 16" intervals. Do not nail the front plate where it crosses the door opening.



## 7) Raising the Roof

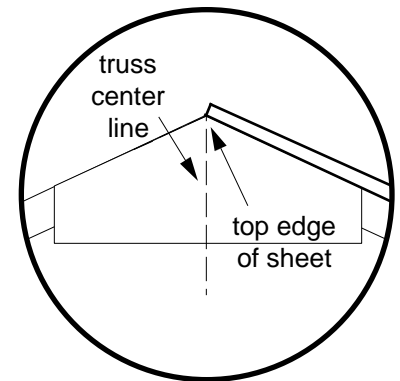
1) Working from left to right, position the first two trusses on the front and back plates. Line up the second truss with the back wall stud. Align the trusses on the front wall plate using the measurements shown below. Tack each truss in place by putting one - 1 3/4" nail through the 3/4" siding overhang into the truss end. Fasten the trusses to the plates by nailing them once from the top and once from the bottom through the plate with 3" nails. Do not position the third truss yet.



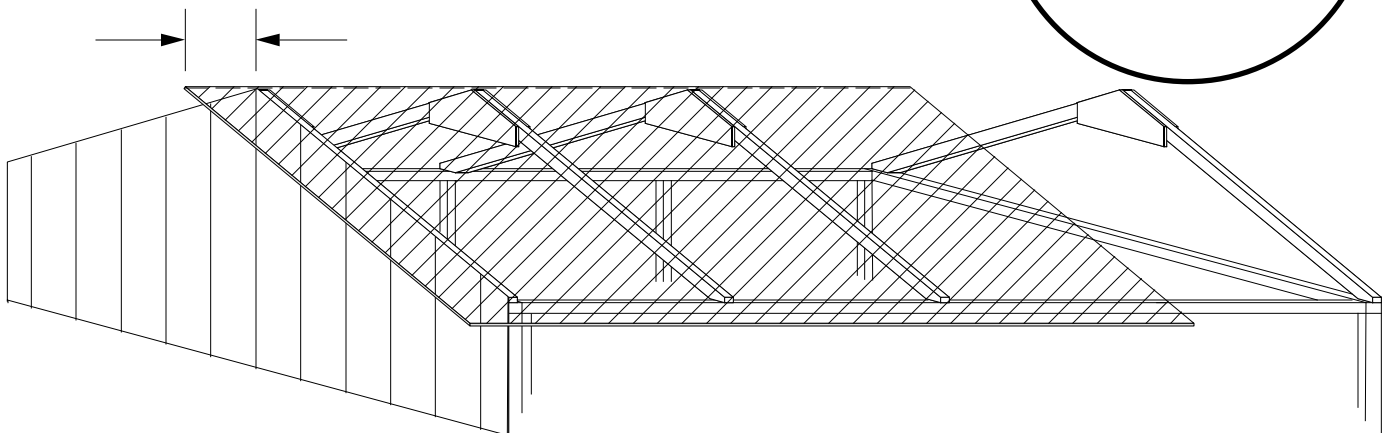
2) Position one of the 77 5/8" roof panels as shown below. Ensure that the panel overhang (5 1/4") is the same at both the top and bottom of the gable wall, and that the top edge is aligned with truss center line on the gable peak.

3) Nail the sheet to the gable truss with six - 1 3/4" nails.

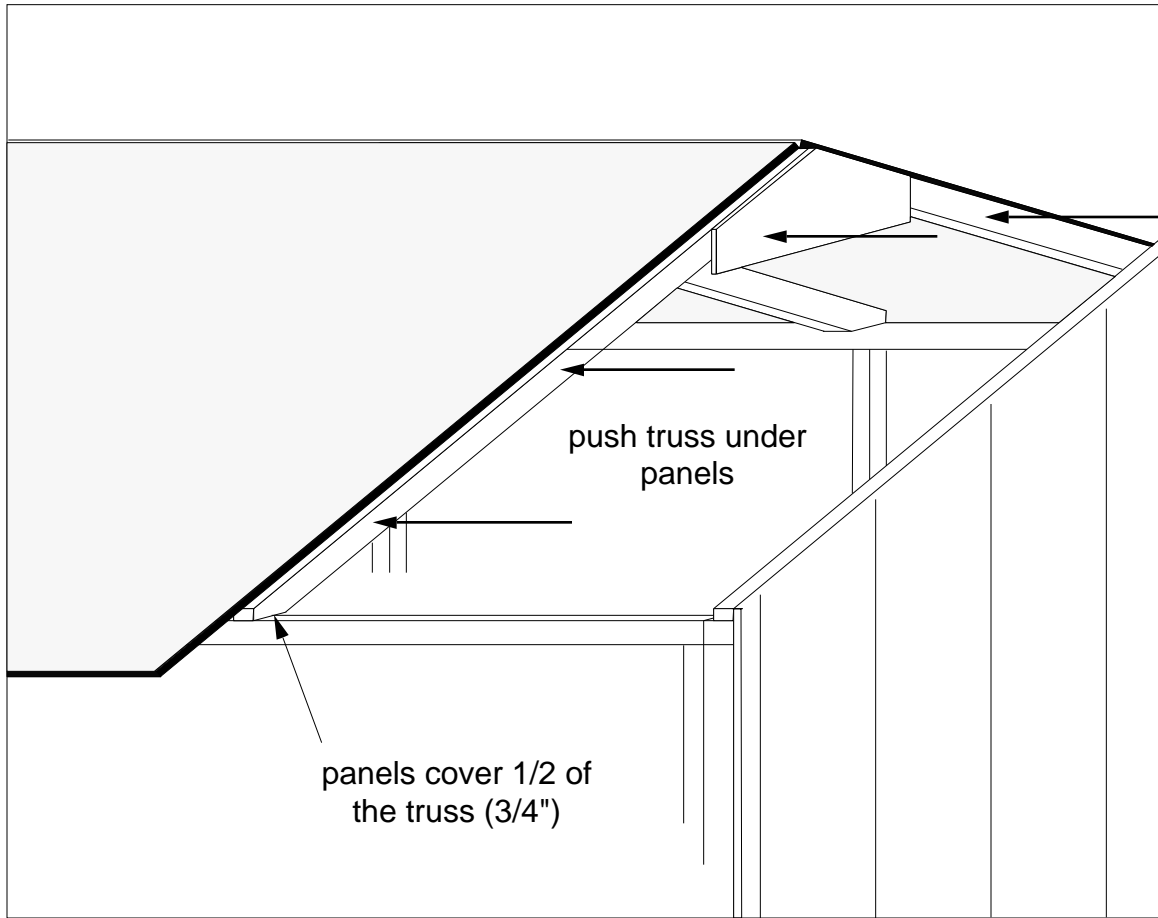
4) Align the top edge of the sheet with the truss center line on the peaks of the other two trusses and check that the truss spacing is the same at the gable peak as it is on the walls. Nail the panel to the trusses with six - 1 3/4" nails per truss.



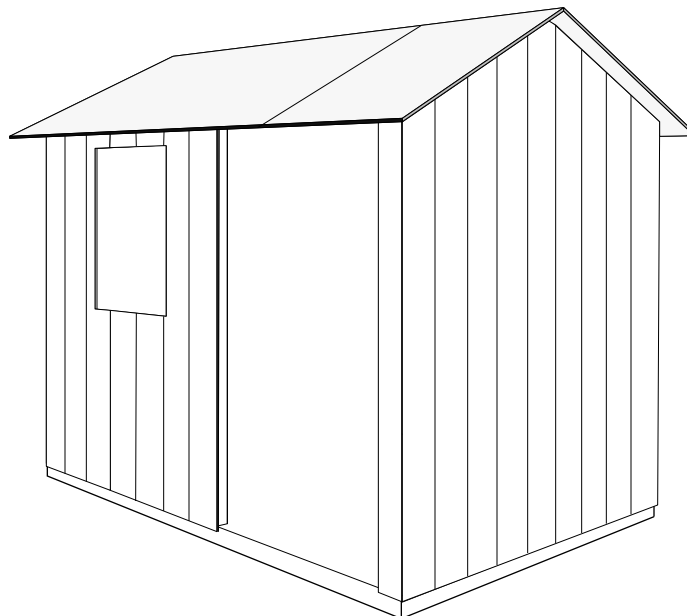
5 1/4" overhang measured from outside of siding



- 5) Install the second 77 5/8" roof panel on the other side of the roof. Take care to align it with the first peice. (This might take a little effort but it helps square the shed).
- 6) Position the third truss by sliding it under the panels so that the panels just cover half the truss. Nail the truss into place as detailed in step 1 with 3" nails and nail the panels to the truss using six - 1 3/4" nails.



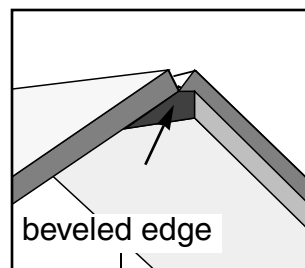
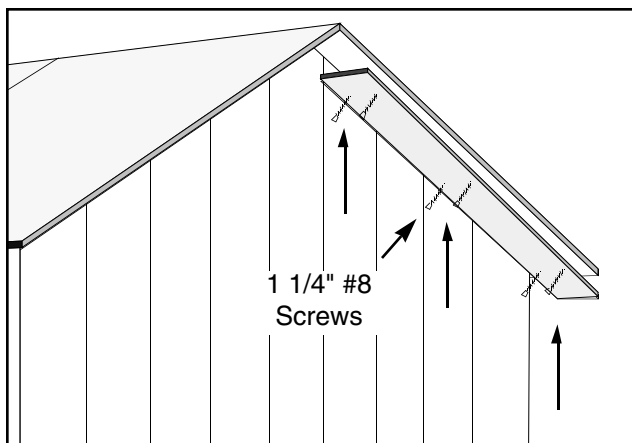
- 7) Finish the roof by installing the two 29 5/8" roof panels. Fasten each one with six - 1 3/4" nails per truss.



## 8) Mounting the Soffits and Fascia

### Gable Soffits

- 1) Start six - 1 1/4" #8 screws in pairs (top, middle and bottom) along the underside of the gable soffit. (1 x 6 x 39 5/8" with beveled end).
- 2) Hold up the gable soffit and align it under the roof overhang so that the toe of the bevel contacts the inside peak of the roof.

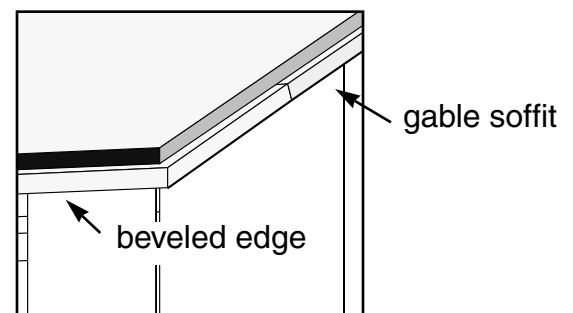
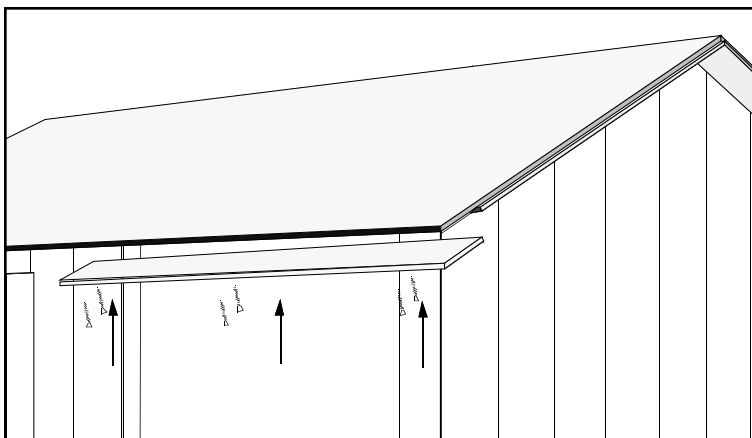


*Note that the soffits are designed to be slightly larger than the roof overhang.*

- 3) Hold the gable soffit firmly against the roof panel and screw it into place.
- 4) Repeat steps 1 through 3 for the other three gable soffits.

### Eave Soffits

- 1) Each of the front and back eave soffits come in 2 pieces, 3/4" x 5 1/8" x 72" and 3/4" x 5 1/8" x 36". Start six - 1 1/4" # 8 screws in pairs along the underside of a 72" eave soffit.
- 2) Position the eave soffit with beveled edge facing out and with the toe pointing down. Align the end so that it is flush with the gable soffit. Hold the soffit firmly against the roof panels and screw into place.

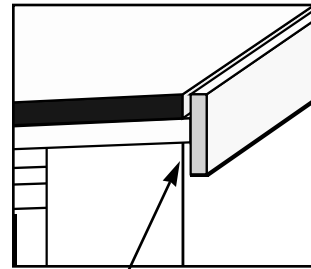
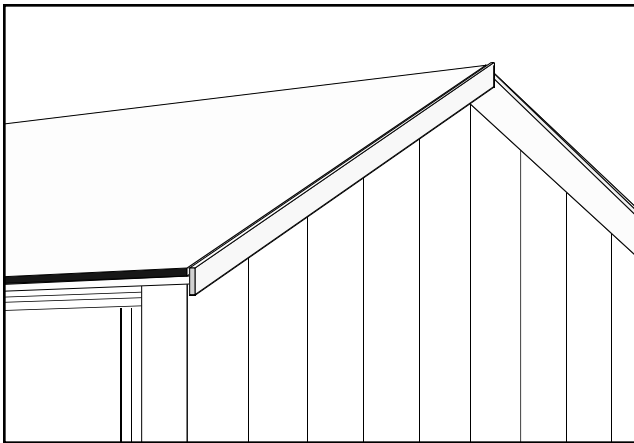


- 3) Start four screws in the 36" soffit. Position the soffit as in step 2 and screw into place.
- 4) Repeat steps 1 to 3 for the other side of the roof.

## ***Gable Fascia***

9) Position the gable fascia with the bottom end aligned with the edge of the eave soffit and the top edge flush with the top of the roof panel.

10) Nail the fascia to the gable soffit with four - 1 3/4" inch nails.



*Align with edge  
of eave soffit.*

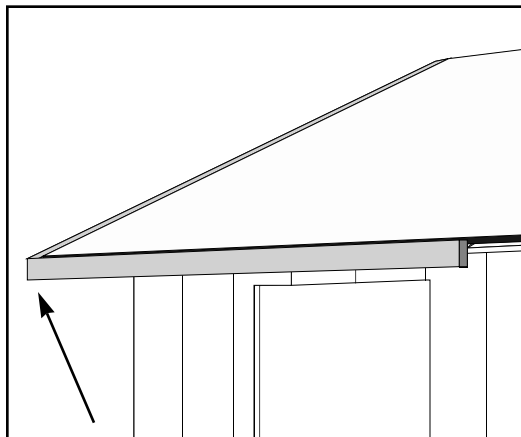
11) Repeat steps 9 and 10 for the other three gable fascia.

## ***Eave Fascia***

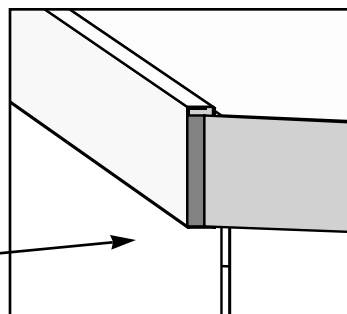
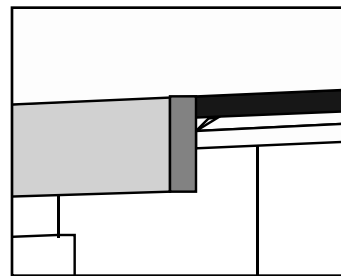
12) The eave fascia, like the eave soffits, also comes in two pieces. Position the eave fascia to overlap the end of the gable fascia. Align the bottom edge of the eave fascia with the bottom edge of the gable fascia as shown below.

13) Nail the eave fascia to the eave soffit with four - 1 3/4" nails.

14) Repeat steps 11 and 12 for the other three eave fascia and then shingle the roof.



overlap the gable fascia  
and align bottom edges

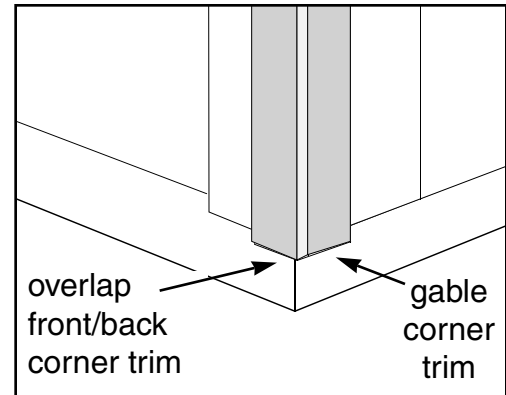
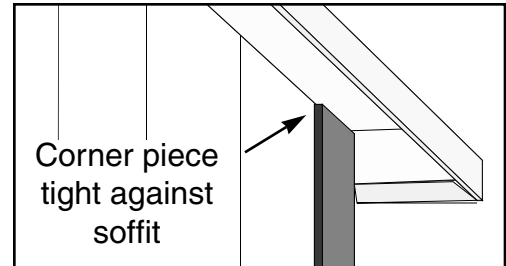
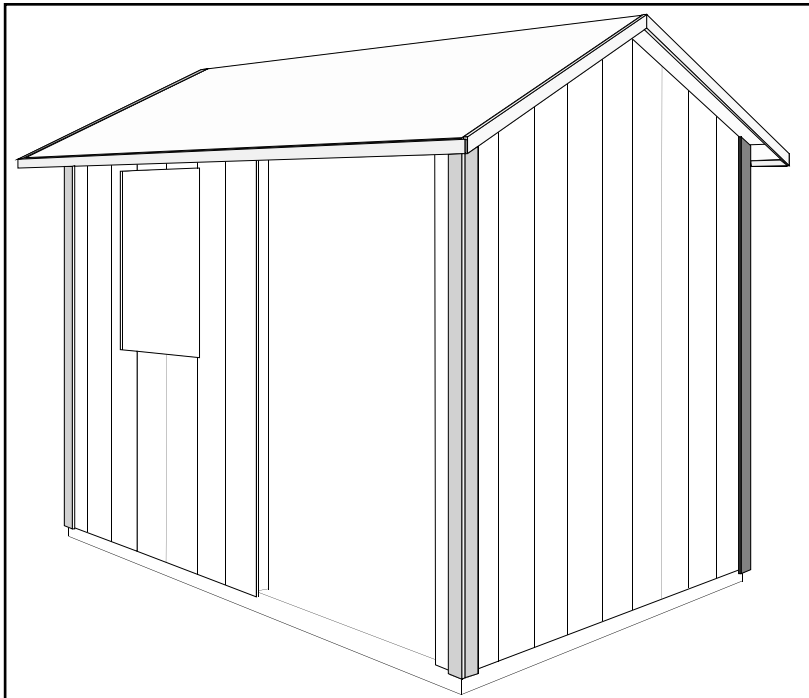


Follow the directions  
on the shingle pack-  
age for application  
technique.

## 9) Mounting the Corners and Casing

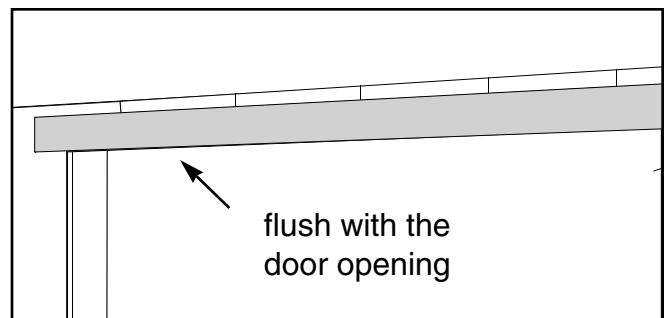
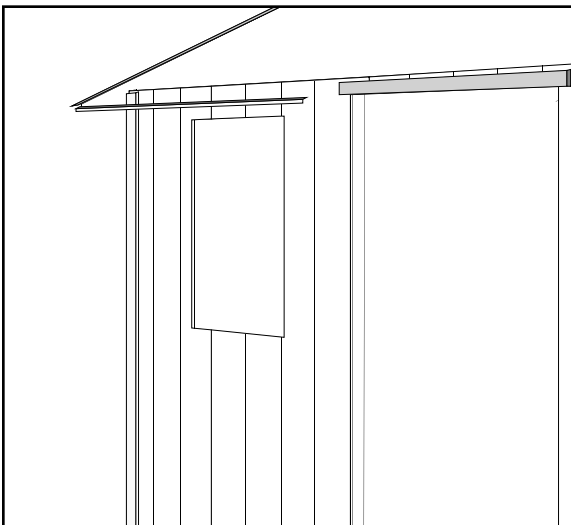
### Corner Pieces

- 1) Using five - 1 3/4" nails each, fasten the gable corner trim (ends cut on an angle) positioned as shown below. Ensure that the gable corner trim is tight against the gable soffit and flush with the front or back wall.
- 2) Fasten the front and back wall corner trim (ends cut square) using five - 1 3/4" nails each. Ensure that the corner pieces are tight against the eave soffit and are flush with the outside edge of the gable corner trim.



### Horizontal Door Casing

- 3) Center the horizontal door casing (1 x 3 x 41 3/4") over the door opening. Adjust the bottom edge of the casing so that it is flush with the opening.



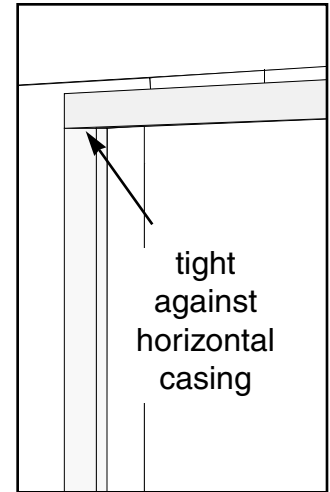
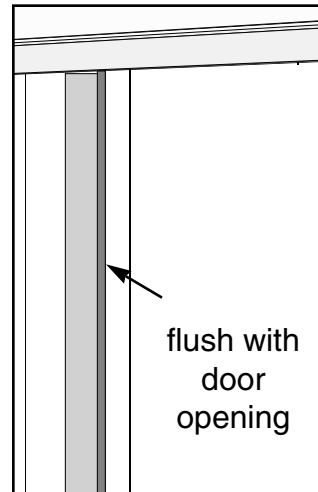
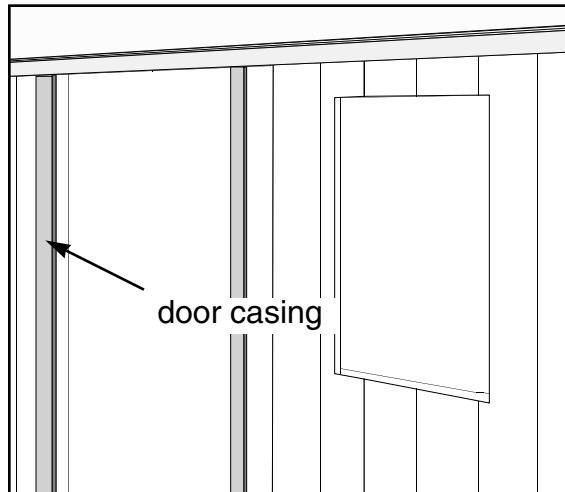
You will also have a horizontal trim piece (72") to cover the seam between the gable wall panels. This piece may have to be trimmed depending on how the corners are positioned.

- 4) Fasten with three - 1 3/4" nails.

## 10) Installing the Windows and Door

### Vertical Door Casing

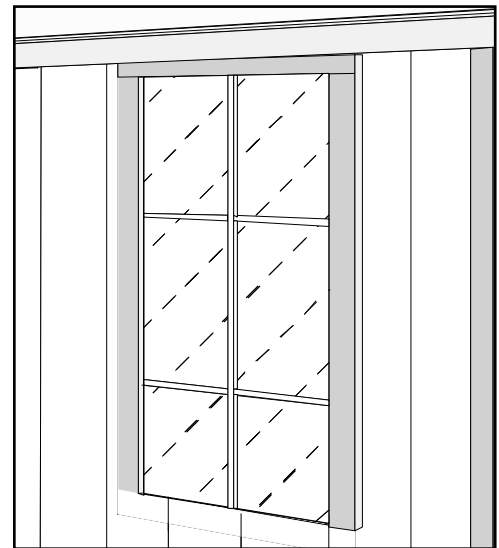
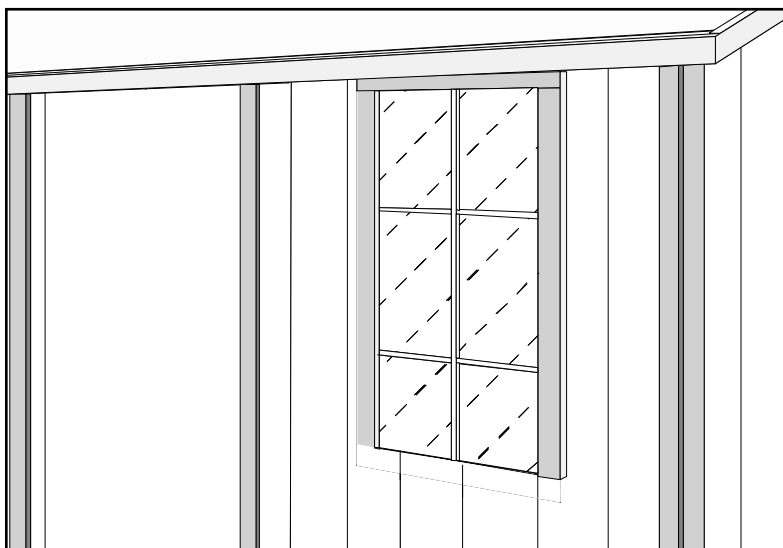
- 1) Remove the front wall bottom plate where it crosses the door opening by cutting it flush with the door frame studs.
- 2) Position the first vertical door casing (1 x 3 x 72") against the door frame.
- 3) Align the edge flush with the door opening and tight against horizontal casing.



- 4) Fasten with five - 1 3/4" nails.
- 5) Repeat steps 2 through 4 for the other vertical casing.

### Window

- 1) Place the window in the window opening. Adjust the window in the opening so that the casing is parallel to the siding grooves.
- 2) Nail the window into place with 1 3/4" nails, one in each corner and three on each side.

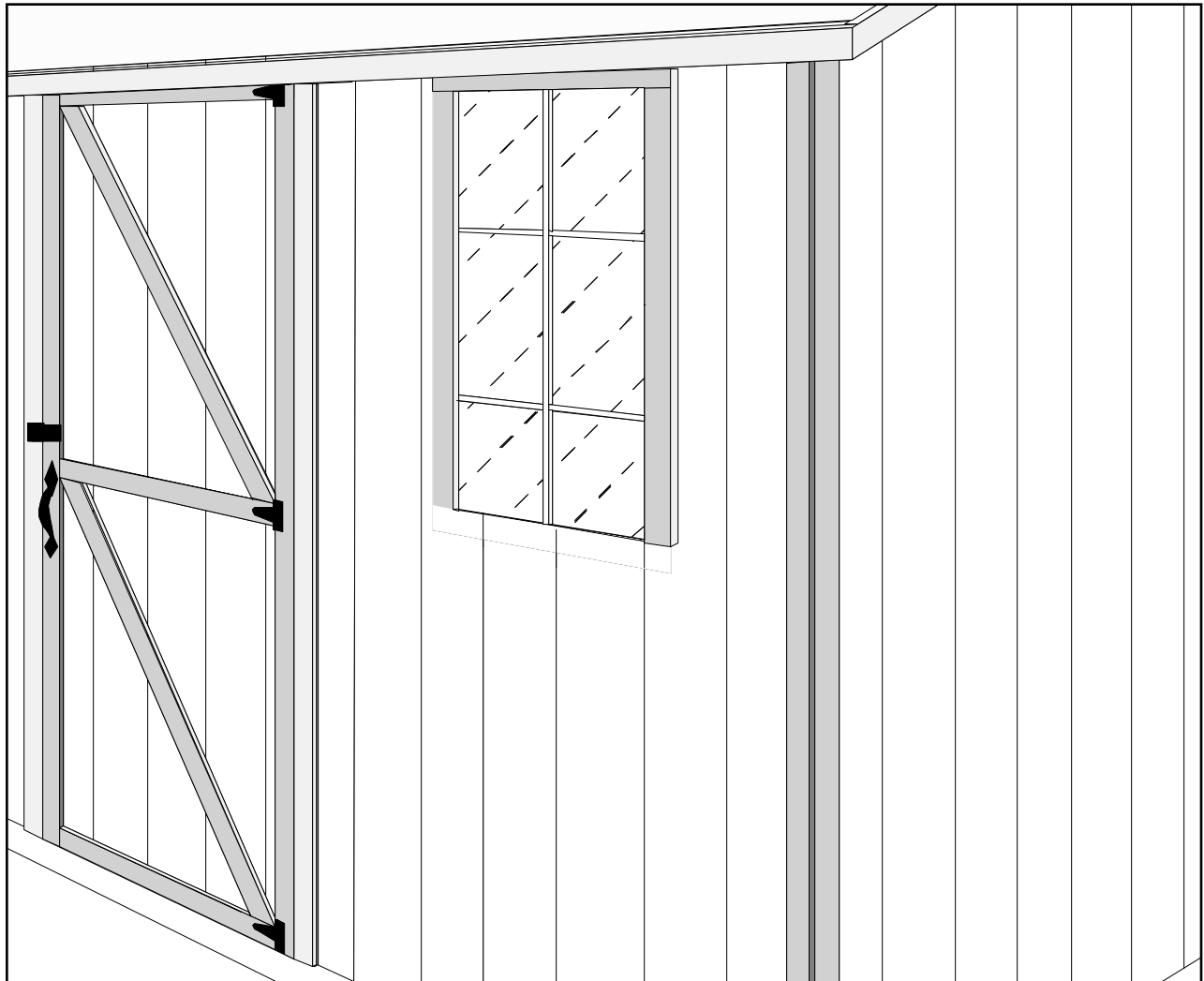


## ***Hanging the Door***

1) With one person inside the shed to help support the door, place it in the opening. Shim the door between the inner door bracing and the floor to leave a 3/16" gap between the top of the door and the opening. Adjust the door side to side to evenly distribute the gap between the sides and the opening.

*The gap between the top of the door and the door opening may not be even if the floor is not completely level. This can be corrected by shimming the appropriate corner of the door at the floor.*

2) Using the screws supplied with the hinges, fasten the top hinge first to the frame and then to the door as shown below. It is strongly recommended that you pre-drill 1/8" holes for the hinge screws.



3) Fasten the the bottom hinge next, followed by the middle hinge.

4) Attach door handle and hasp as shown above. Please refer to the hardware packages for mounting instructions.

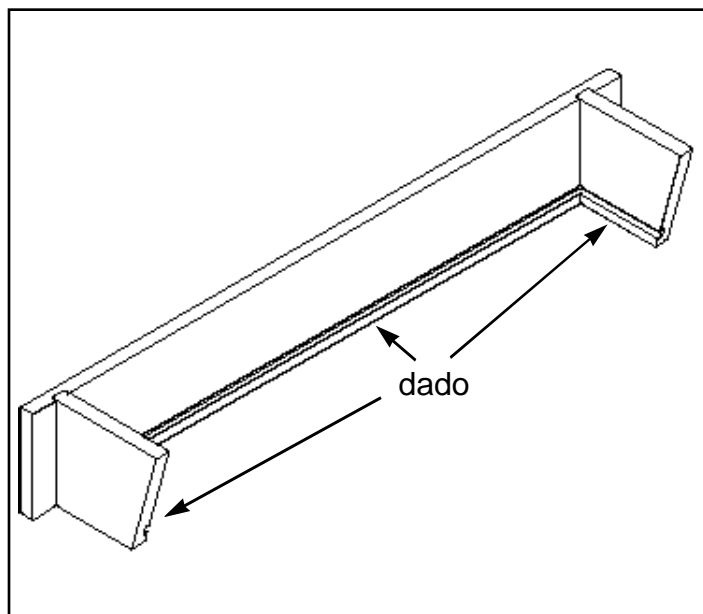
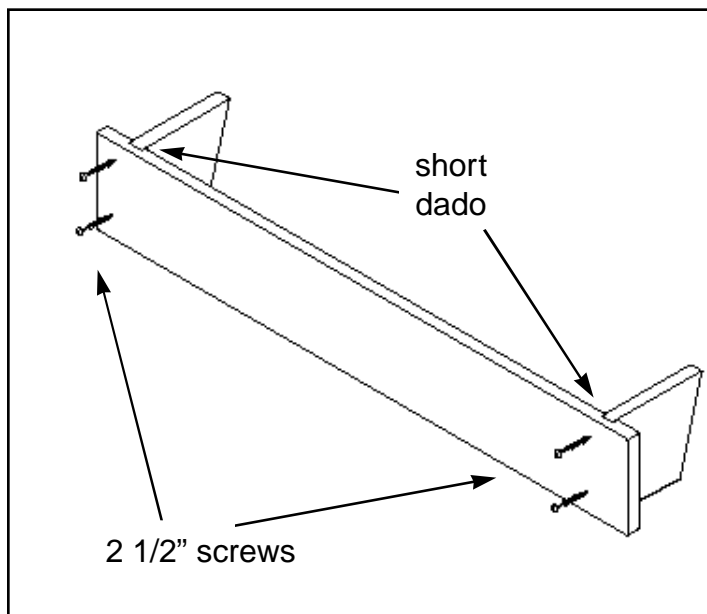
5) Using 1 3/4" nails, install the diagonal door trim pieces in the door. Angle the nails so that they don't come through on the other side.

6) Fasten the vertical and horizontal door stops to the door framing, flush with the inside face of the door, when it is in the closed position.

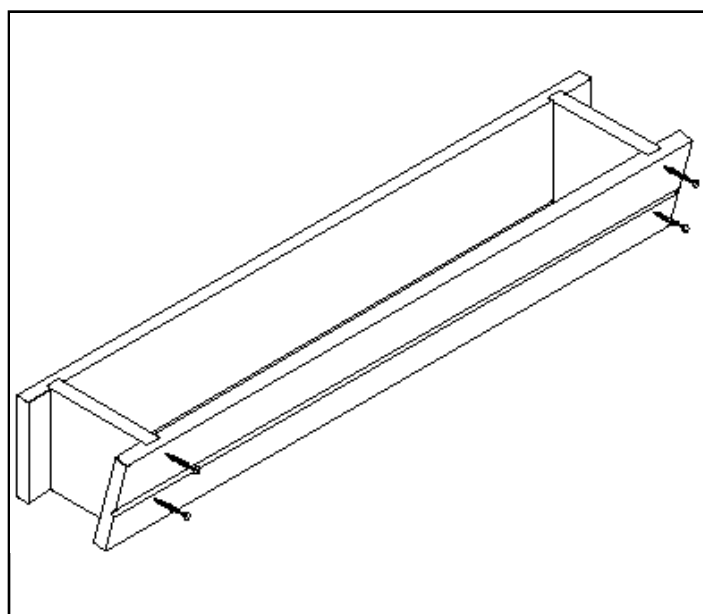
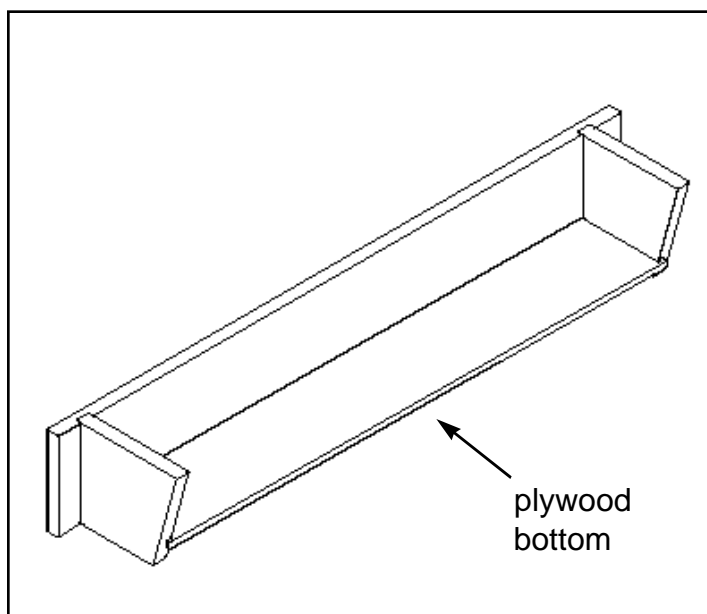
# 11) Installing the Flower Boxes and Shutters

## Flower Box Assembly

- 1) Insert the side pieces into the short dados (slots) on the flower box back as shown below. The 1/2" dados on the side pieces face toward the middle of the box and line up with the 1/2" dado on the flower box back.
- 2) Screw the back to each side piece with two - 2 1/2" screws.



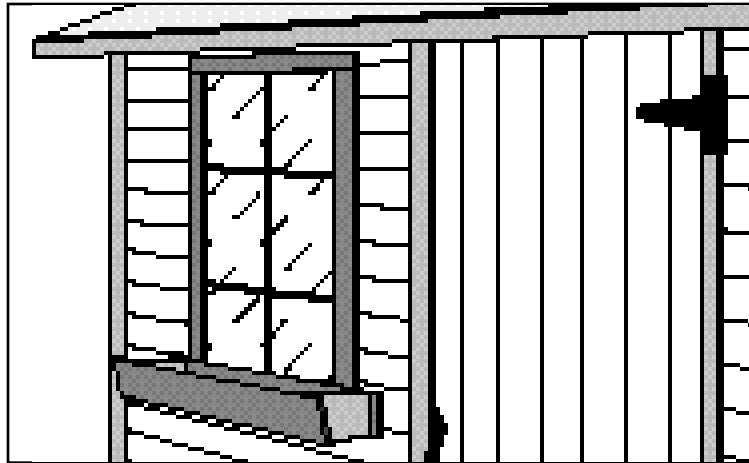
- 2) Insert the 1/2" plywood bottom into the dado on the back and side pieces as shown in below.
- 3) Position the front piece, v-groove side out, onto the side pieces so that they fit into the short dados. Fasten the front piece to the side pieces with four - 2 1/2" screws in the same manner as the back piece.





## Flower Box Installation

1) Position the flower box tight against the bottom of the window frame and center it under the window.

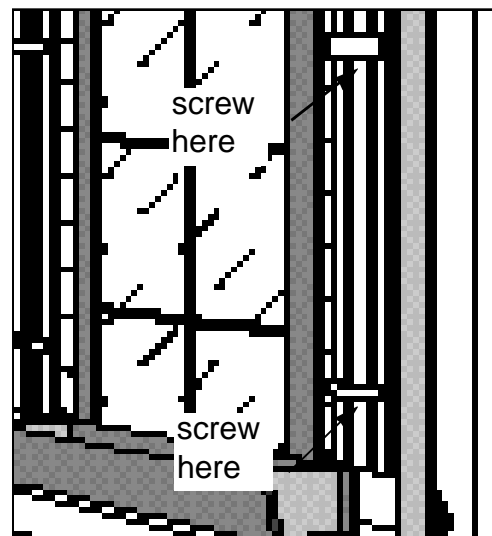
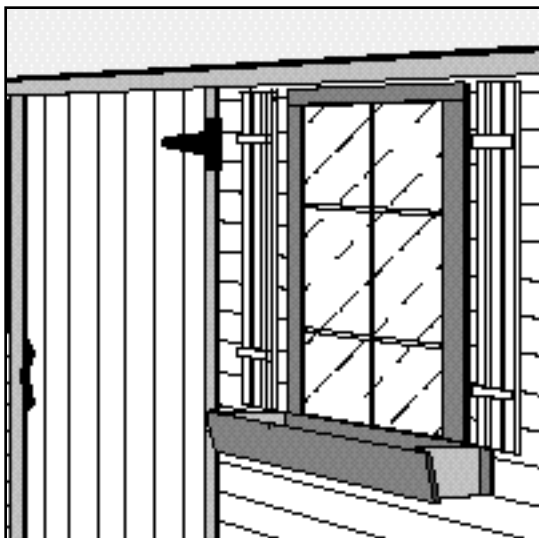


2) Use the 2 1/2" screws to attach the box to the studs on either side of the window.

## Shutters

1) Position the shutter beside the window frame so that the shutter bottom sits on the flower box and is 1 1/2" from the window casing. Fasten the bottom with a 1 1/4" screw under the cross piece.

2) Adjust the shutter so that it is an equal distance from the window at both the top and bottom. Fasten the top using a 1 1/4" screw under the cross piece.

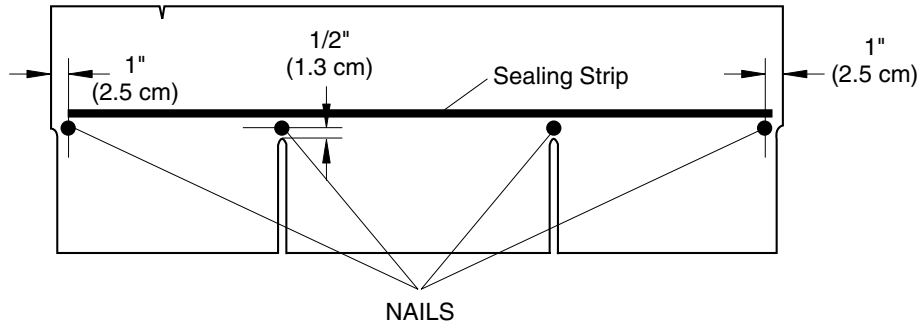


Congratulations! That completes the assembly of your shed. Remember to finish it with a quality stain to validate the warranty as detailed in the first section of the instructions. When properly finished your shed will give you many years of trouble free service. If you have any comments or suggestions, please call us on our toll free line.

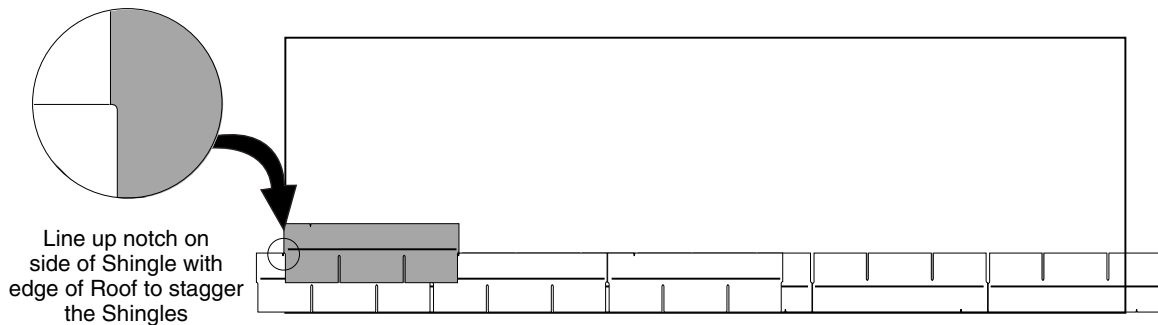
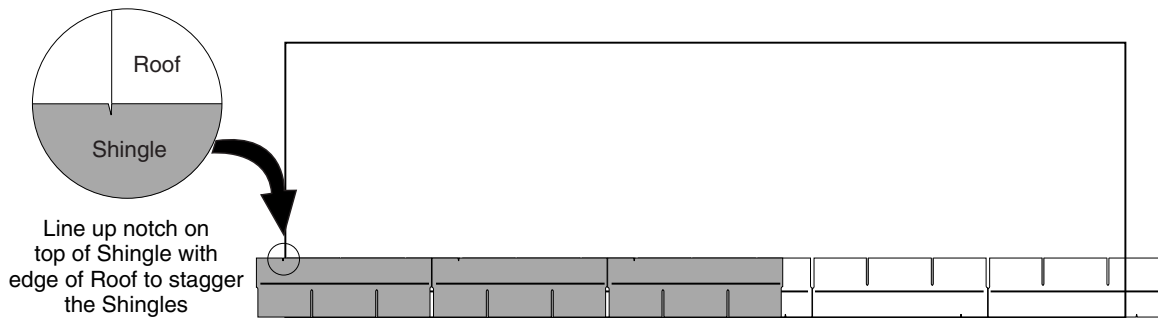
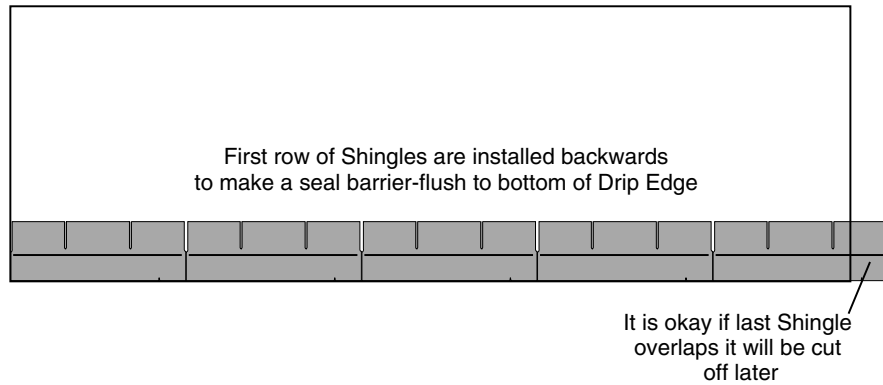
## INSTALLING ASPHALT SHINGLES (REQUIRED)

Using four nails per shingle, nail as shown in drawing. Drive nails straight so that the nail head is flush with, but not cutting into shingle surface.

Follow illustrations to apply Shingles to your Building.

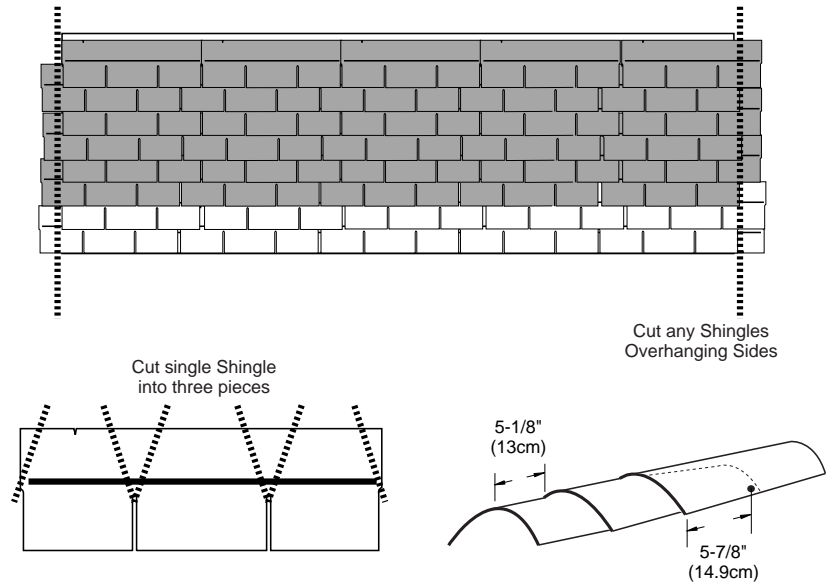


After completing shingling your building, remove any overhanging, excess shingles by cutting them off with a utility knife.



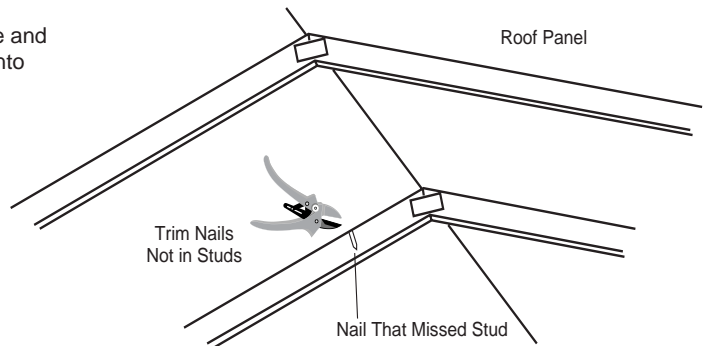
## INSTALLING SHINGLES (CONTINUED)

To cover the Peak of your building, cut strip Shingles into individual pieces by dividing at cutout as shown. Bend each piece over the Peak and nail  $5\text{-}\frac{7}{8}$ " (14.9cm) above the butt edge and  $1$ " (2.5cm) in from each side, exposing each piece  $5\text{-}\frac{1}{8}$ " (13cm) to the weather.



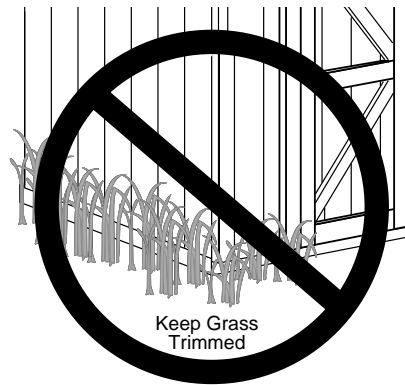
## NAIL INSPECTION

After assembly is finished, check the entire building inside and out for any protruding nails. Pound any protruding nails into the wood or cut them off flush.



## REQUIRED MAINTENANCE

See requirements in the limited conditional warranty on the last page of this manual.



See Warranty Requirements

# Limited Conditional Warranty

## **WARRANTY**

Kenex Manufacturing Ltd warrants the following:

1. Every product is warranted from defects in workmanship and manufacturing for two years.
2. All hardware and metal components are warranted for two years.
3. Trim is warranted for 3 years.
4. Waferboard siding and sheathing is warranted for two years.
5. T 1-11, Cedar and Canexel siding are warranted for 15 years.

Kenex will repair, replace or pay for the affected part. In no event shall Kenex pay the cost of labor or installation or any other costs related thereto. All warranties are from date of purchase. If a cash refund is paid on an affected part, it will be prorated from the date of purchase. Note that due to the organic nature of wood, knots, small cracks and minor movement are not considered defects.

## **CONDITIONS**

The warranty is effective only when:

1. The unit has been erected in accordance with the assembly instructions.
2. The unit has been properly shingled and painted or stained and reasonably and regularly maintained thereafter.
3. The failure occurs when the unit is owned by the original purchaser.
4. Kenex has received the warranty registration card within thirty (30) days of purchase and notification of the failure in writing within the warranty period specified above.
5. Kenes has had reasonable opportunity during the sixty (60) days following receipt of notification to inspect and verify the failure prior to commencement of any repair work.

## **REQUIREMENTS**

To validate your warranty, it is necessary to properly maintain your building; shingle the roof and paint or stain the siding using 100% acrylic latex exterior product with a minimum of two (2) coats within thirty (30) days of assembly; caulk above all doors and all horizontal and vertical trim boards; paint and seal all exposed edges, sides and faces of siding to include all exterior walls and all sides and all edges of doors. For Gazebos, be sure to paint or stain all cedar components.

## **Other Requirements**

Keep vegetation trimmed away from building. Water from sprinklers must be kept off unit. In no event will we be responsible for any indirect, incidental, consequential or special damages nor for failure(s) that are caused by events, acts or omissions beyond our control including, but not limited to, misuse or improper assembly, improper maintenance (which eventually leads to rot or decay) and acts of God. We will not be held responsible for any labor costs incurred to construct your unit.

## **CLAIM PROCEDURE**

To make a claim under this warranty, call (800) 606-8911. Please have ready the information below when you call or include the information when writing:

1. The model and size of the product.
2. A list of the part(s) for which the claim is made.
3. Proof of purchase of the item, as shown on the original invoice.

**IMPORTANT: This is your warranty information.  
Please complete and mail your warranty card to properly validate your warranty.**

It's Done!  
The location is grand, the  
landscaping is divine, the colour  
scheme matches the surroundings  
perfectly. What's left to do?

**Win \$250.00  
Cash!**

Simply send us a photo of your completed structure and be eligible to win \$250.00.

On December 30<sup>th</sup> we'll choose what we consider to be the nicest shot, and mail the winner a cheque.

Elements such as lighting, location, landscaping and stain or paint application will be taken into consideration as well as the overall appeal of the photograph.

**GOOD LUCK!**

Please detach and return the card (or fax) to the address below (with copy of dated retail receipt) to validate your warranty.

---

Warranty Registration Card

Name: \_\_\_\_\_ Model: \_\_\_\_\_  
Address: \_\_\_\_\_ Date Purchased: \_\_\_\_\_  
City: \_\_\_\_\_ Retail Outlet: \_\_\_\_\_  
Province/State: \_\_\_\_\_ Store Location: \_\_\_\_\_

We would appreciate a moment of your time to answer the following questions:

Did you find the instructions clear? Yes \_\_\_\_\_ No \_\_\_\_\_

If not please explain \_\_\_\_\_

---

Did you encounter any difficulties with assembly? Yes \_\_\_\_\_ No \_\_\_\_\_

If so please explain \_\_\_\_\_

---

**Kenex Manufacturing Ltd**  
27 Regan Rd, Brampton, ON  
L7A 1B2  
Tel. 1-800-606-8911 (Locally 905-840-9469)  
Fax 905-840-6904  
email: [info@gardendec.com](mailto:info@gardendec.com)